

**WARNING**

**DISCONNECT POWER BEFORE RELAMPING OR WIRING THE FIXTURE
READ ALL INSTRUCTIONS COMPLETELY BEFORE STARTING INSTALLATION.**

**CAUTION**

- TO AVOID THE RISK OF FIRE OR SHOCK, FIXTURE MUST BE INSTALLED IN COMPLIANCE WITH ALL APPLICABLE NATIONAL AND LOCAL ELECTRICAL/BUILDING CODES.
- INSTALLATION AND MAINTENANCE OF THIS UNIT REQUIRES AN ELECTRICIAN OR CERTIFIED FACTORY TRAINED TECHNICIAN.
- If an existing fixture is being replaced, remove it and note to which of the wires in the outlet box the fixture was attached. DO NOT SEPARATE ANY OTHER WIRES THAT MAY BE IN THE BOX. DO NOT DAMAGE THE INSULATION OF OLDER WIRING. In regular circumstances the BLACK wire will be the "Hot" lead and the WHITE wire will be the "Neutral" or "Common" lead. The GREEN or BARE COPPER wire is the "Ground". In older buildings it is always good practice to reconfirm the polarity of the wiring.

NOTICE

- The important safeguards and instructions outlined on this sheet cannot cover all possible conditions and situations that may occur. It must be understood that common sense, caution and care factors that cannot be built into any product. Caution and care must be supplied by the person(s) installing, operating and caring of this lighting fixture.
- This fixture is designed to be mounted on a correctly installed standard round or octagon box or a through wiring box with a plaster frame. The box must be securely mounted to the structure of the building. The crossbar and hardware supplied should be used. Directly mounting the fixture to the outlet box may make it impossible to correctly align the fixture.
- This fixture is supplied with with a 4-pcs. stem. There is one 6" section, two 12" section and one 18" section. This feature allows the fixture to be mounted with a stem up to 48" in length in 6" increments (See Figure-3).
- This fixture is supplied with a swivel. By rotating the canopy the fixture may be mounted to angled ceiling.

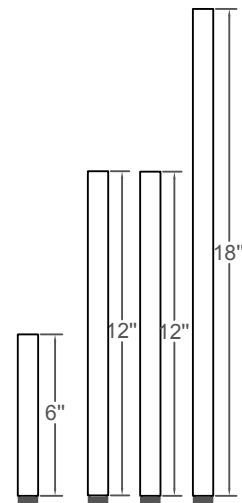
FIXTURE PREPARATION

1. Remove the fixture and parts bag(s) from the carton.

NOTICE:

**Before discarding the carton,
double check to make certain that all parts are found.**

2. Thread the stem connector onto the coupling.
3. Determine the overall desired length of the fixture.
Assemble the adjustable stems one at a time onto the fixture leads.
Tape the end of the leads to a stiff wire (coat hanger) to aid in pulling them through the stems. Place the canopy onto the stem.
Assemble the fixture stem, stem connector and swivel.



ADJUSTABLE STEM

FIXTURE INSTALLATION

1. Place the led driver inside the canopy. Fasten the black wire from DC output (black and red wire combination) of the led driver to the black wire coming from the fixture. Fasten the wires with the approved fastener. Starting about 1" below the fastener, tightly wrap the connection with electrical tape so that the connection seals the end of the fastener. (See figure 1)
2. Connect the red wire from the fixture together to the red wire from the led driver. Fasten the wires as in step 2. (See figure 1)
Note: LED light should be received assembled as seen in Replacement LED Instruction.
3. Attach the mounting ring to the outlet box.
4. Cut off the excess ground and fixture wire 6" beyond the canopy. Strip 1/2" of insulation from the ends of the wire. Twist the wire stands together.



WARNING

Never fasten the ground wire to the black or "hot" wire! Failure to follow this instruction could result in serious injury or death!

5. Fasten the white wire from the led driver to the white wire in the outlet box. Fasten the wires together with an approved fastener (wire nut). Starting about 1" below the fastener, tightly wrap the connection with electrical tape so that the connections seals the end of the fastener. (See figure 1)



WARNING

Make sure that there is no exposed wire or strands that could cause serious injury or death!

6. Connect the black wire of the led driver to the black wire in the outlet box. Fasten the joined wires as in step 6.
7. Using the flat screws, loosely fasten the fixture to the mounting ring. Rotate and align the canopy as necessary. Tighten the flat screws.
8. For Solite Glass Installation: Place the solite glass as seen in figure 3. Turn Mesh Wire Diffuser to lock. (See figure 3)
9. Restore power to circuit at breaker or fuse box.

NOTICE:

Must use INCANDESCENT/ELV Dimmer with LED's on this fixture. *Lutron Maestro dimmer not compatible.

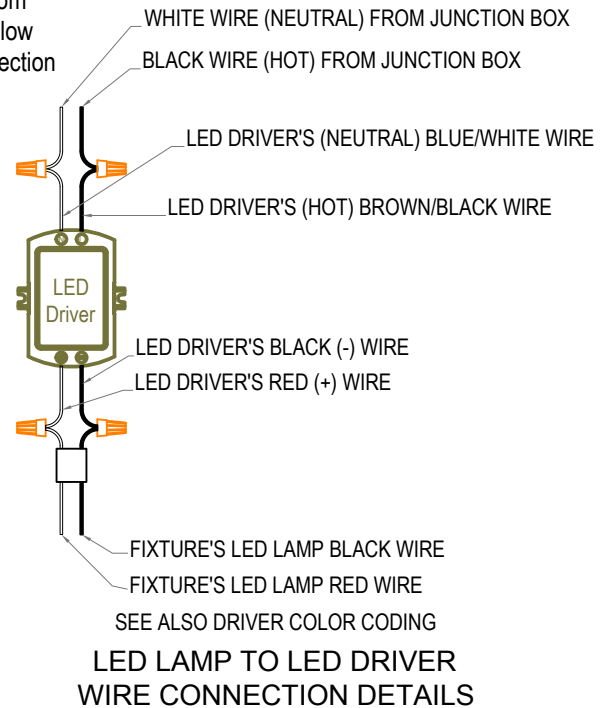


FIGURE-1

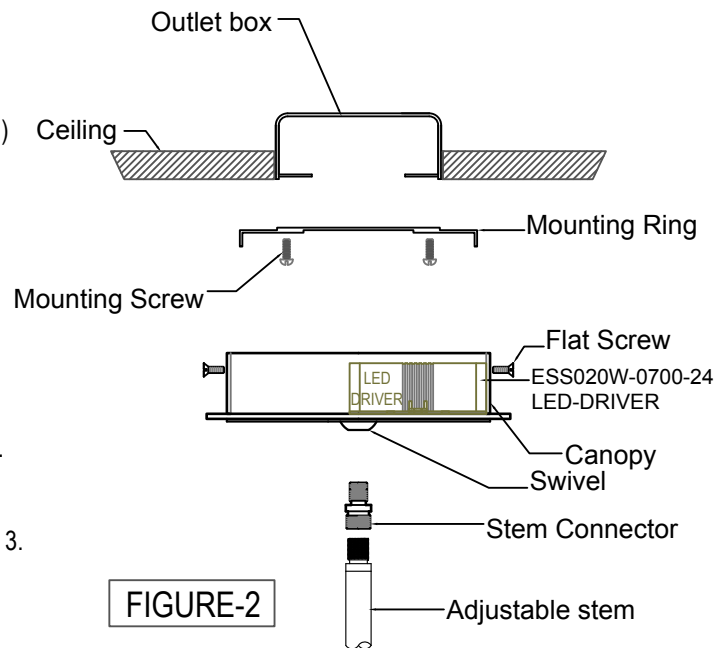
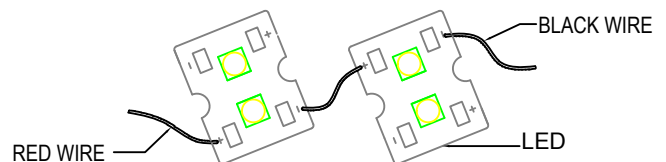


FIGURE-2

NOTE: THERMAL PASTE SHOULD BE APPLIED BETWEEN LED LIGHTS AND HEATSINK



Replacement LED Instruction

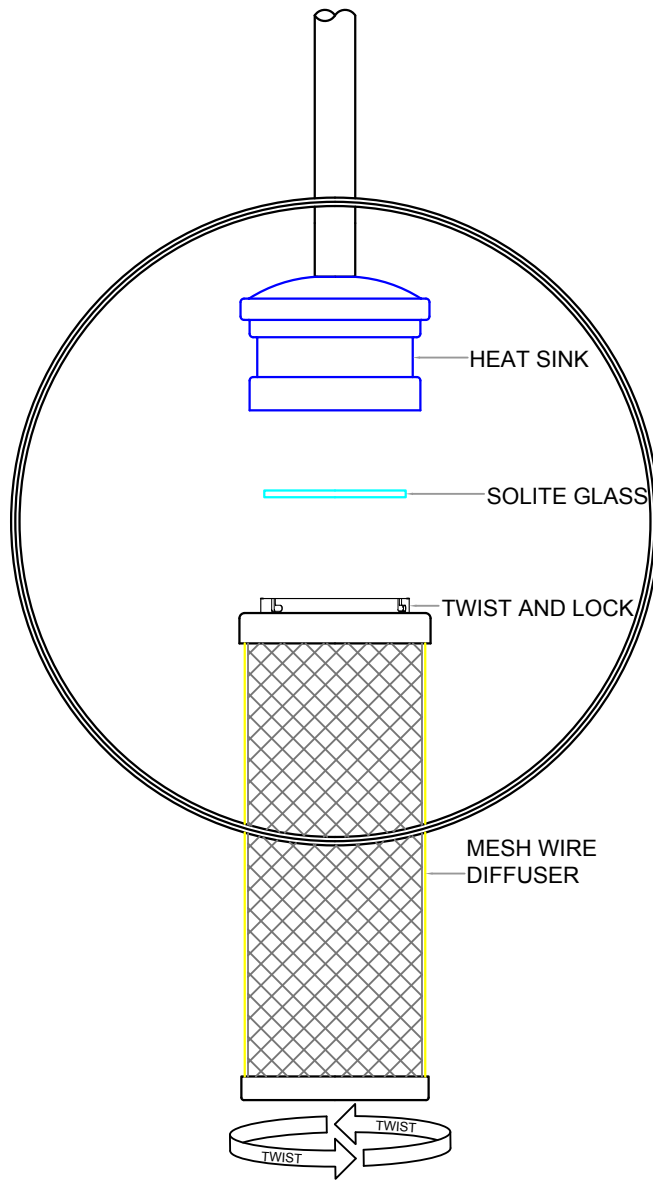


FIGURE-3