

**WARNING**

**DISCONNECT POWER BEFORE RELAMPING OR WIRING THE FIXTURE.
READ ALL INSTRUCTIONS COMPLETELY BEFORE STARTING INSTALLATION.**

**CAUTION**

- **TO AVOID THE RISK OF FIRE OR SHOCK, FIXTURE MUST BE INSTALLED IN COMPLIANCE WITH ALL APPLICABLE NATIONAL AND LOCAL ELECTRICAL/BUILDING CODES.**
- **INSTALLATION AND MAINTENANCE OF THIS UNIT REQUIRES AN ELECTRICIAN OR CERTIFIED FACTORY TRAINED TECHNICIAN.**
- If an existing fixture is being replaced, remove it and note to which of the wires in the outlet box the fixture was attached. **DO NOT SEPARATE ANY OTHER WIRES THAT MAY BE IN THE BOX. DO NOT DAMAGE THE INSULATION OF OLDER WIRING.** In regular circumstances the BLACK wire will be the "Hot" lead and the WHITE wire will be the "Neutral" or "Common" lead. A GREEN or BARE COPPER wire is the "Ground". In older buildings it is always good practice to reconfirm the polarity of the wiring.

NOTICE

- The important safeguards and instructions outlined on this sheet cannot cover all possible conditions and situations that may occur. It must be understood that common sense, caution and care are factors that cannot be built into any product. Caution and care must be supplied by the person(s) installing, operating and caring for this lighting fixture.
- This fixture is designed to be mounted on a correctly installed standard round or octagon box or a through wiring box with a plaster frame. The box must be securely mounted to the structure of the building. The crossbar and hardware supplied should be used. Directly mounting the fixture to the outlet box may make it impossible to correctly align the fixture.

FIXTURE PREPARATION

1. Remove the fixture, parts and parts bag(s) from the carton.

NOTICE:

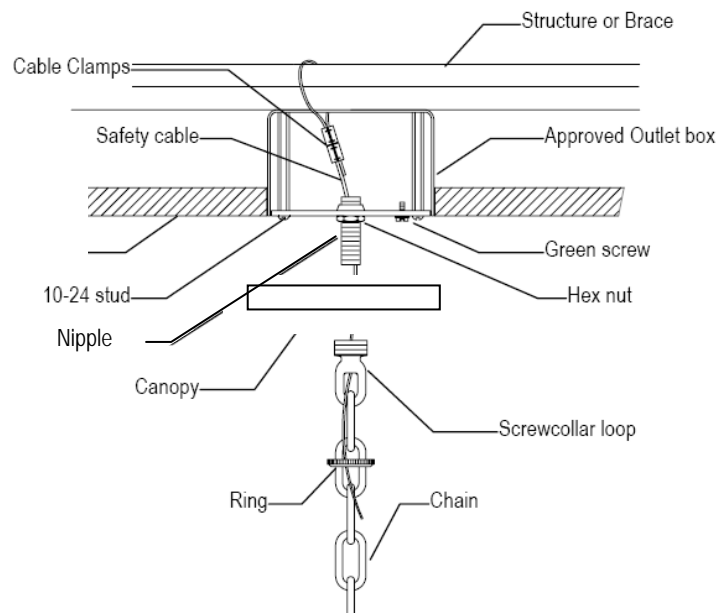
Before discarding the carton, double check to make certain that all parts are found.

FIXTURE INSTALLATION

New construction: Double check that APPROVED BOX and SUPPORT were correctly installed following the manufacturers instructions.

Remodeling (with enclosed ceiling) Install APPROVED BOX and SUPPORT following manufacturer's instructions.

1. Slide crimp-on cable clamps onto the **SAFETY CABLE**.
The outlet box may have to be removed for this step.
Loop the **SAFETY CABLE** over the structure or brace.
Thread the long end of the **SAFETY CABLE** back through the crimp-on cable clamps. Adjust the cable and tightly set the clamps.
Thread the **SAFETY CABLE** into the outlet box (from the top).
Reinstall the outlet box if necessary.
2. Attach the crossbar to the **10-24 STUDS** in the outlet box.
DO NOT USE THE BOX "EARS"
Thread nipple into the crossbar and hex nut onto the nipple.
Place the canopy against the ceiling.
Adjust the nipple so that 1/4" of thread is exposed beyond the canopy.
Tighten the hex nut against the crossbar.
3. Thread the **SAFETY CABLE** down through one of the nipple and screwcollar loop.
Temporarily install the canopy.
4. Open both end links of the chain. Attach the chain to the canopy loop. Hang the fixture on the chain. Adjust fixture to desired height.
Remove excess chain. Close the links.
5. Unscrew the ring from the screwcollar loop. Let the ring and canopy slide down the chain to the top of the fixture.
Thread the lead wires and ground wire (first) through the ring and then the canopy. Thread the wires up through alternating links of the chain.



SEE PAGE 2 FOR SUGGESTED FIELD CONSTRUCTED SUPPORT

- When the ceiling is reached, measure 6" beyond the chain and cut off the excess wire. Separate the leads and strip of approx. 1/2" of insulation from each lead. Twist the strands of wire together. Push the leads and ground wire up through the screwcollar loop and nipple and into the outlet box.

- Fasten the ground wire to the green or bare copper wire in the outlet box or to the green screw on the crossbar.



WARNING

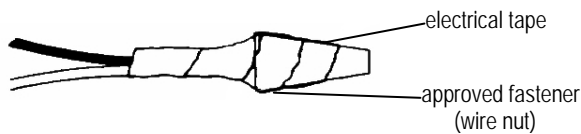
Never fasten the ground wire to the black or "hot" wire! Failure to follow this instruction could result in serious injury or death!

- Fasten the rough fixture lead to the white wire in the outlet box. Fasten the wires together with an approved fastener (wire nut). Starting about 1" below the fastener, tightly wrap the connection with electrical tape so that the connection seals the end of the fastener.



WARNING

Make sure that there is no exposed wire or strands that could cause a dangerous short circuit!



- Connect the smooth fixture lead to the black wire in the outlet box. Fasten the joined wires as in step 8.
- Thread the SAFETY CABLE down through alternating links of chain.
- Slide the canopy and ring up the chain to the outlet box. Secure the canopy in place against the ceiling.
- Thread a crimp-on cable clamp onto the SAFETY CABLE. Loop the SAFETY CABLE through the fixture loop.
- Thread the SAFETY CABLE back through the crimp-on cable clamp. Pull cable snug and tightly crimp cable clamp in place. **DO NOT OVER TIGHTEN THE CABLE AND CAUSE THE CHAIN TO SAG!** Remove excess cable approx 1/2" beyond the clamp.

- Install the fixture on all cables.
- Install the glass on socket use socket ring and socket sleeve with tool ring sleeve.
- Install the lamps (light bulbs). NOTE: This fixture is rated for Max 60 watt type B lamps or Early electric lamps.



WARNING

DO NOT EXCEED RECOMMENDED WATTAGE!

- Restore power to circuit at breaker or fuse.

SUGGESTED FIELD CONSTRUCTED SUPPORT

