

⚠ WARNING
DISCONNECT POWER BEFORE RELAMPING OR WIRING THE FIXTURE
READ ALL INSTRUCTIONS COMPLETELY BEFORE STARTING INSTALLATION.

⚠ CAUTION

- TO AVOID THE RISK OF FIRE OR SHOCK, FIXTURE MUST BE INSTALLED IN COMPLIANCE WITH ALL APPLICABLE NATIONAL AND LOCAL ELECTRICAL/BUILDING CODES.
- INSTALLATION AND MAINTENANCE OF THIS UNIT REQUIRES AN ELECTRICIAN OR CERTIFIED FACTORY TRAINED TECHNICIAN.
- If an existing fixture is being replaced, remove it and note to which of the wires in the outlet box the fixture was attached. DO NOT SEPARATE ANY OTHER WIRES THAT MAY BE IN THE BOX. DO NOT DAMAGE THE INSULATION OF OLDER WIRING. In regular circumstances the BLACK wire will be the "Hot" lead and the WHITE wire will be the "Neutral" or "Common" lead. The GREEN or BARE COPPER wire is the "Ground". In older buildings it is always good practice to reconfirm the polarity of the wiring.

NOTICE

- The important safeguards and instructions outlined on this sheet cannot cover all possible conditions and situations that may occur. It must be understood that common sense, caution and care factors that cannot be built into any product. Caution and care must be supplied by the person(s) installing, operating and caring of this lighting fixture.
- This fixture is designed to be mounted on a correctly installed standard round or octagon box or a through wiring box with a plaster frame. The box must be securely mounted to the structure of the building. The crossbar and hardware supplied should be used. Directly mounting the fixture to the outlet box may make it impossible to correctly align the fixture.

FIXTURE PREPARATION

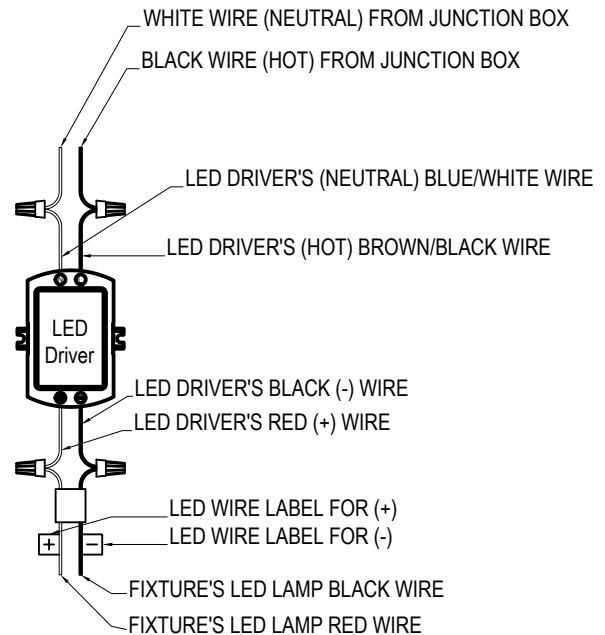
1. Remove the fixture, glass diffuser and parts bag(s) from the carton.

NOTICE:
 Before discarding the carton,
 double check to make certain that all parts are found.

2. Determine the overall desired length of the fixture. Adjust the length of the safety cable according to your desired length of the fixture then insert to the canopy. Tighten the grip lock after reaching the desired length. Thread the nylon screw using the special tool provided that will hold the safety cable in place.

FIXTURE INSTALLATION

1. Place the led driver inside the canopy. Fasten the black wire from DC output (black and red wire combination) of the led driver to the black wire coming from the fixture. Fasten the wires with the approved fastener. Starting about 1" below the fastener, tightly wrap the connection with electrical tape so that the connection seals the end of the fastener. (See figure 1)
2. Connect the red wire from the fixture together to the red wire from the led driver. Fasten the wires as in step 1. (See figure 1)
 Note: LED light should be received assembled as seen in Replacement LED Instruction.



SEE ALSO DRIVER COLOR CODING

**LED LAMP TO LED DRIVER
 WIRE CONNECTION DETAILS**

FIGURE-1

3. Attach the mounting plate to the junction box using the mounting screws. The green screw should face the floor. Back out the screws 1/2" turn to allow the ring to rotate.
4. Cut off the excess ground and fixture wire 6" beyond the canopy. Strip 1/2" of insulation from the ends of the wire. Twist the wire stands together.
5. Fasten the ground wire to the green or bare copper wire in the junction box or the green screw on the mounting plate.

WARNING
 Never fasten the ground wire to the black or "hot" wire!
 Failure to follow this instruction could result in serious injury or death!

6. Fasten the white wire from the led driver to the white wire in the junction box. Fasten the wires together with an approved fastener (wire nut). Starting about 1" below the fastener, tightly wrap the connection with electrical tape so that the connections seals the end of the fastener. (See figure 1)

WARNING
 Make sure that there is no exposed wire or strands that could cause a dangerous short circuit!

7. Connect the black wire of the led driver to the black wire in the junction box. Fasten the joined wires as in step 6.
8. Install the cylindrical glass using the acorn nut with stud and hex nut (See Section-B). Then insert the safety glass and bottom part, lock them using the acorn nut with stud.
9. Using the end balls, loosely fasten the fixture to the mounting plate. Rotate and align the canopy as necessary. Tighten the end balls.

WARNING
 DO NOT EXCEED RECOMMENDED WATTAGE!

10. Restore power to circuit at breaker or fuse box.

NOTICE:
 Must use **UNIVERSAL DIMMER** with LED's on this fixture. *Lutron Maestro dimmer not compatible.

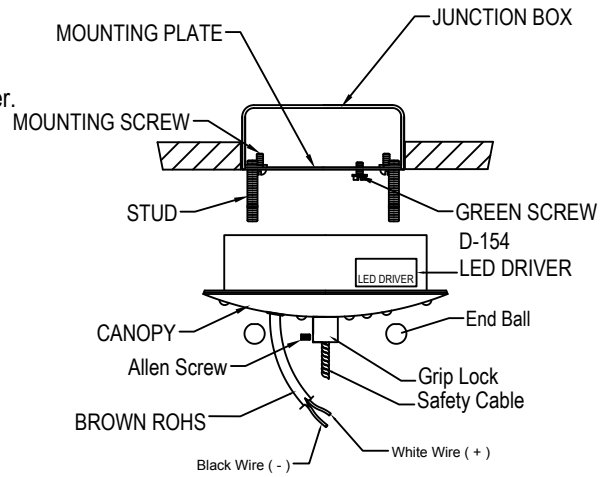
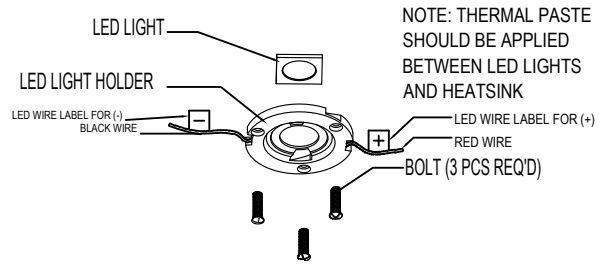


FIGURE-2



Replacement LED Instruction

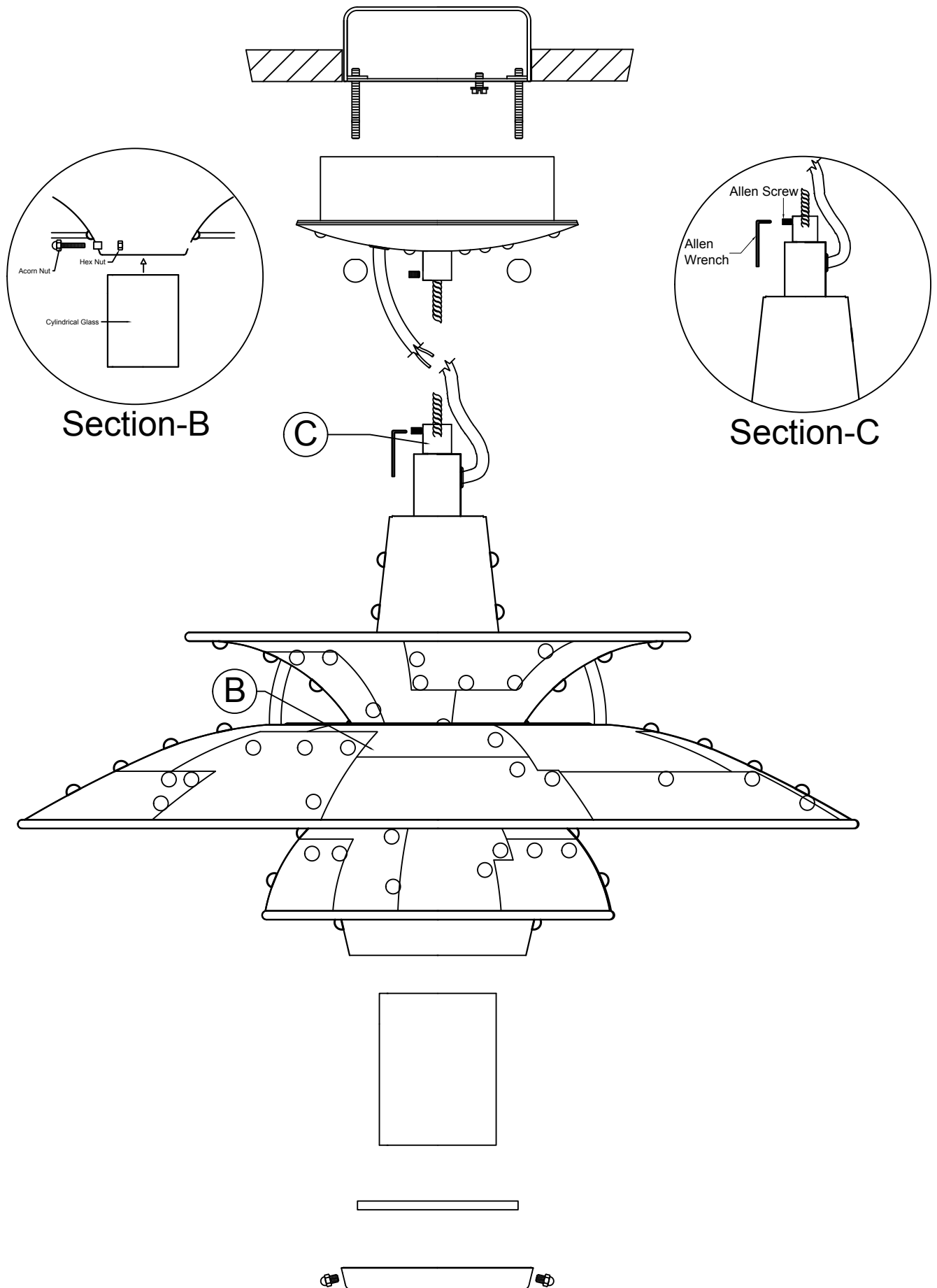


FIGURE-3