

⚠ WARNING

**DISCONNECT POWER BEFORE RELAMPING OR WIRING THE FIXTURE
READ ALL INSTRUCTIONS COMPLETELY BEFORE STARTING INSTALLATION.**

⚠ CAUTION

- TO AVOID THE RISK OF FIRE OR SHOCK, FIXTURE MUST BE INSTALLED IN COMPLIANCE WITH ALL APPLICABLE NATIONAL AND LOCAL ELECTRICAL/BUILDING CODES.
- INSTALLATION AND MAINTENANCE OF THIS UNIT REQUIRES AN ELECTRICIAN OR CERTIFIED FACTORY TRAINED TECHNICIAN.
- If an existing fixture is being replaced, remove it and note to which of the wires in the outlet box the fixture was attached. **DO NOT SEPARATE ANY OTHER WIRES THAT MAY BE IN THE BOX. DO NOT DAMAGE THE INSULATION OF OLDER WIRING.** In regular circumstances the BLACK wire will be the "Hot" lead and the WHITE wire will be the "Neutral" or "Common" lead A GREEN or BARE COPPER wire is the "Ground". In older buildings it is always good practice to reconfirm the polarity of the wiring.

NOTICE

- The important safeguards and instructions outlined on this sheet cannot cover all possible conditions and situations that may occur. It must be understood that common sense, caution and care factors that cannot be built into any product. Caution and care must be supplied by the person(s) installing, operating and caring of this lighting fixture.
- This fixture is design to be mounted on a correctly installed standard round or octagon box or a through wiring box with a plaster frame. The box must be securely mounted to the structure of the building. The crossbar and hardware supplied should be used. Directly mounting the fixture to the outlet box may make it impossible to correctly align the fixture.

FIXTURE PREPARATION

1. Remove the fixture, glass bowl and parts bag(s) from the carton.

NOTICE:
Before discarding the carton,
double check to make certain that all parts are found.

FIXTURE INSTALLATION

1. Attach the crossbar to the junction box using the bolts. The green screw should face out.
2. Insert wire of brass loop to the fixtures as shown in figure 1. Remove the threaded ring from the heavy duty collar loop. Fully thread the heavy duty collar loop together with the ring and the canopy onto the nipple. Thread the hex nut onto the nipple and the nipple into the crossbar. Place the funnel canopy over the collar loop and against the ceiling. Adjust the nipple so that 1/4" of the threads on the collar loop extend beyond the funnel canopy. Tighten the hex nut against the crossbar. Using the threaded ring, install the funnel canopy.
3. Fasten the ground wire to the green or bare copper wire in the junction box or the green screw on the crossbar.

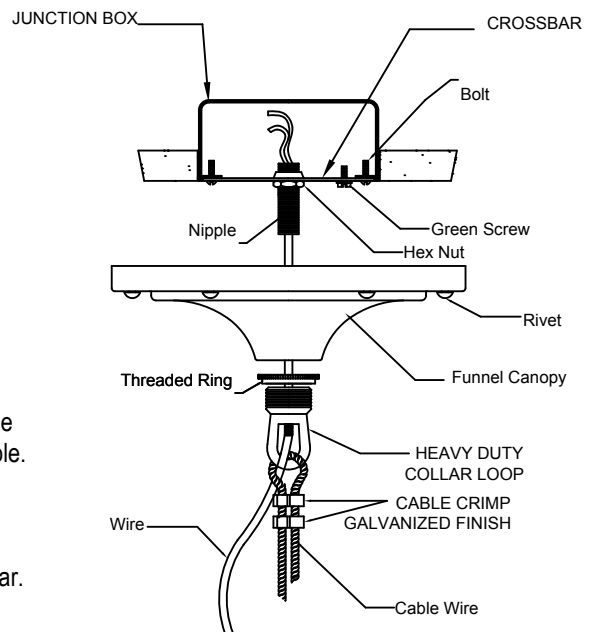


FIGURE-1



WARNING

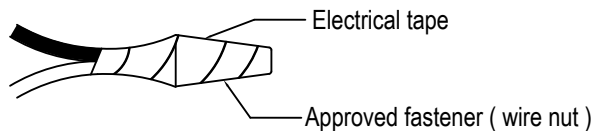
Never fasten the ground wire to the black or "hot" wire! Failure to follow this instruction could result in serious injury or death!

4. Fasten the white fixture lead to the white wire in the junction box. Fasten the wires together with an approved fastener (wire nut). Starting about 1" below the fastener, tightly wrap the connection with electrical tape so that the connections seals the end of the fastener.



WARNING

Make sure that there is no exposed wire or strands that could cause a dangerous short circuit!



5. Connect the black fixture lead to the black wire in the junction box. Fasten the joined wires as in step 4.
6. Install the lamps (lighting bulbs). NOTE: This fixture is rated for 100 watts medium base lamp.



WARNING DO NOT EXCEED RECOMMENDED WATTAGE!

7. Place the glass bowl into the spinning top cover then place the brass glass holder. Lock the glass and the cover using the acorn nuts (See figure-1).
8. Restore power to circuit at breaker or fuse box.

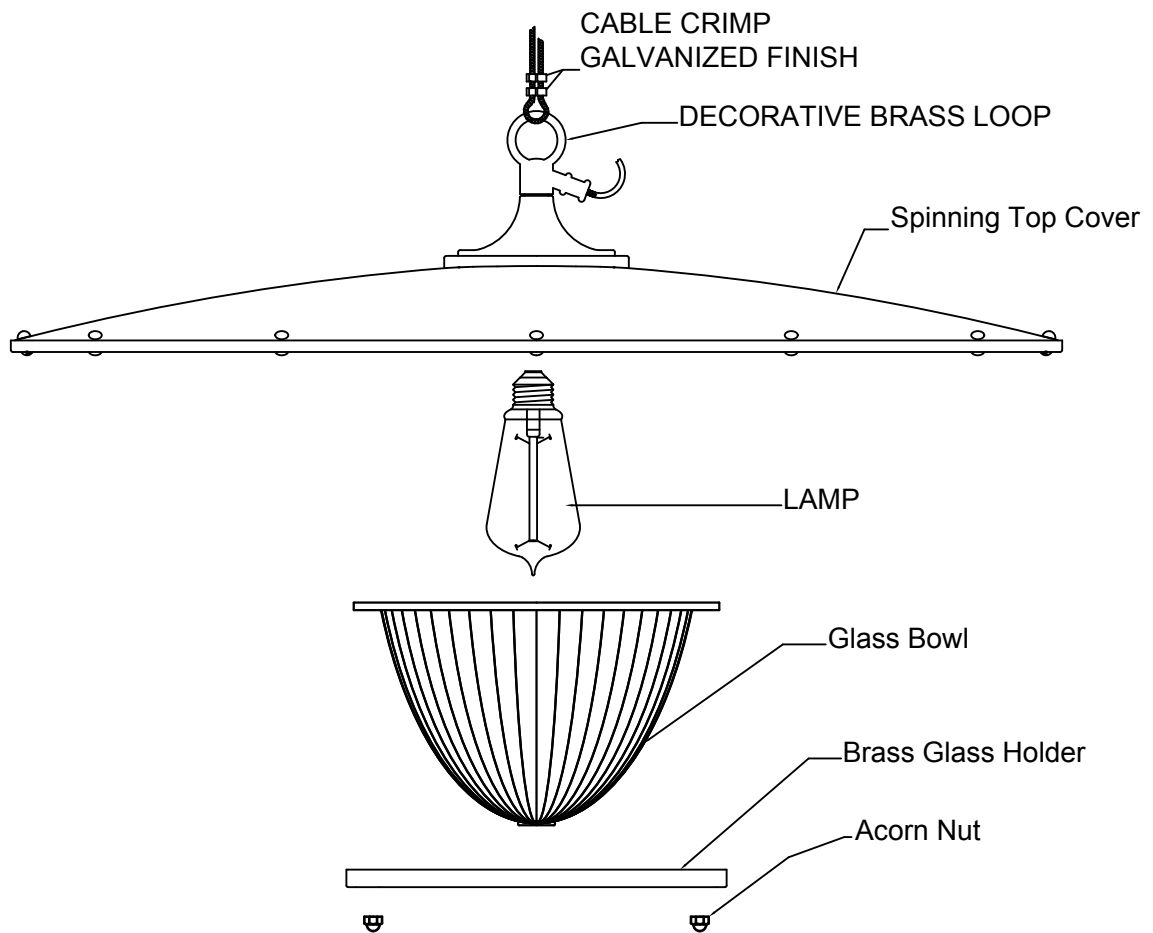


FIGURE-2