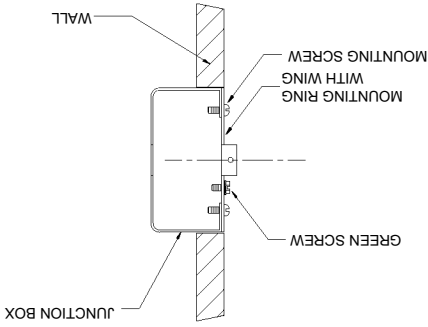


FIGURE-01



WARNING
 Never fasten the ground wire to the black or "hot" wire!
 Failure to follow this instruction could result in serious injury or death!

1. Remove the mounting ring with wing from the fixture. Then attach to the outlet box. (The green screw should face out).
2. Fasten the ground wire to the green or bare copper wire in the outlet box of the green screw on the mounting ring.

FIGURE INSTALLATION

- NOTICE:**
- Before discarding the carton, double check to make certain that all parts are found.

1. Remove the fixture, parts and parts bag(s) from the carton.

FIGURE PREPARATION

NOTICE:
 CALIFORNIA PROP 65: THIS LIGHTING FIXTURE CONTAINS CHEMICALS KNOWN TO THE STATE OF CALIFORNIA TO CAUSE CANCER, BIRTH DEFECTS, AND/OR OTHER REPRODUCTIVE HARM. WASH HANDS AFTER USE.

- The important safeguards and instructions outlined on this sheet cannot cover all possible conditions and situations that may occur. It must be understood that common sense, caution and care factors that cannot be built into any product. Caution and care must be supplied by the person(s) installing, operating and caring of this lighting fixture.
- This fixture is designed to be mounted on a correctly installed standard round or octagon box or a through wiring box with a plaster frame. The box must be securely mounted to the structure of the building. The mounting ring and hardware supplied should be used. Directly mounting the fixture to the outlet box may make it impossible to correctly align the fixture.

NOTICE

- TO AVOID THE RISK OF FIRE OR SHOCK, FIXTURE MUST BE INSTALLED IN COMPLIANCE WITH ALL APPLICABLE NATIONAL AND LOCAL ELECTRICAL/BUILDING CODES.
- INSTALLATION AND MAINTENANCE OF THIS UNIT REQUIRES AN ELECTRICIAN OR CERTIFIED FACTORY TRAINED TECHNICIAN.
- If an existing fixture is being replaced, remove it and note to which of the wires in the outlet box the fixture was attached. DO NOT SEPARATE ANY OTHER WIRES THAT MAY BE IN THE BOX. DO NOT DAMAGE THE INSULATION OF OLDER WIRING. In regular circumstances the BLACK wire will be the "Hot" lead and the WHITE wire will be the "Neutral" or "Common" lead. A GREEN or BARE COPPER wire is the "Ground". In older buildings it is always good practice to reconfirm the polarity of the wiring.

CAUTION

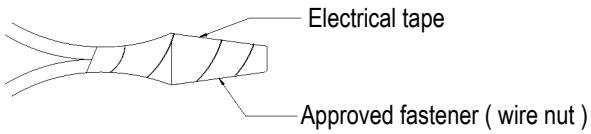
**DISCONNECT POWER BEFORE RE-LAMPING OR WIRING THE FIXTURE.
 READ ALL INSTRUCTIONS COMPLETELY BEFORE STARTING INSTALLATION.**

WARNING

B7493 JUNIPER BATH (GOLD FINISH) INSTALLATION INSTRUCTIONS

3. Fasten the white fixture lead to the white wire in the outlet box. Fasten the wires together with an approved fastener (wire nut). Starting about 1" below the fastener, tightly wrap the connection with electrical tape so that the connections seals the end of the fastener.

⚠ WARNING
 Make sure that there is no exposed wire or strands that could cause a dangerous short circuit!



4. Connect the black fixture lead to the black wire in the outlet box. Fasten the joined wires as in step 3.
5. Reinstall the fixture to the mounting ring with wing and secure it with flathead screws (See Figure-02)
6. Attach the glass diffuser on arm of the fixture and secure with the socket ring(See Figure-03).
7. Install the lamps. (Type - A Lamp).

NOTICE:
 This fixture is rated for 60w Type - A Lamp.

⚠ WARNING
 DO NOT EXCEED RECOMMENDED WATTAGE!

8. Restore power to the circuit breaker or fuse box.

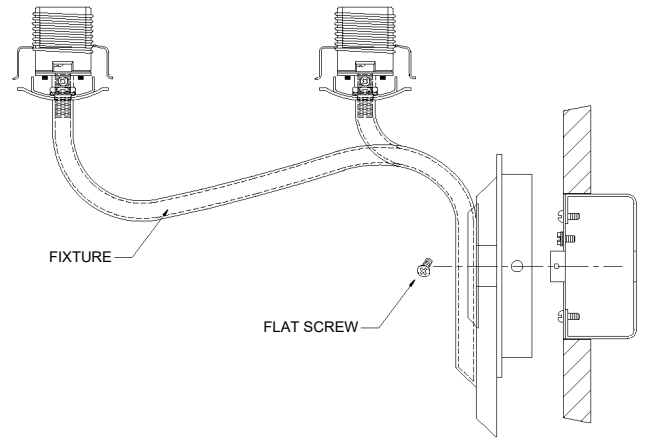


FIGURE-02

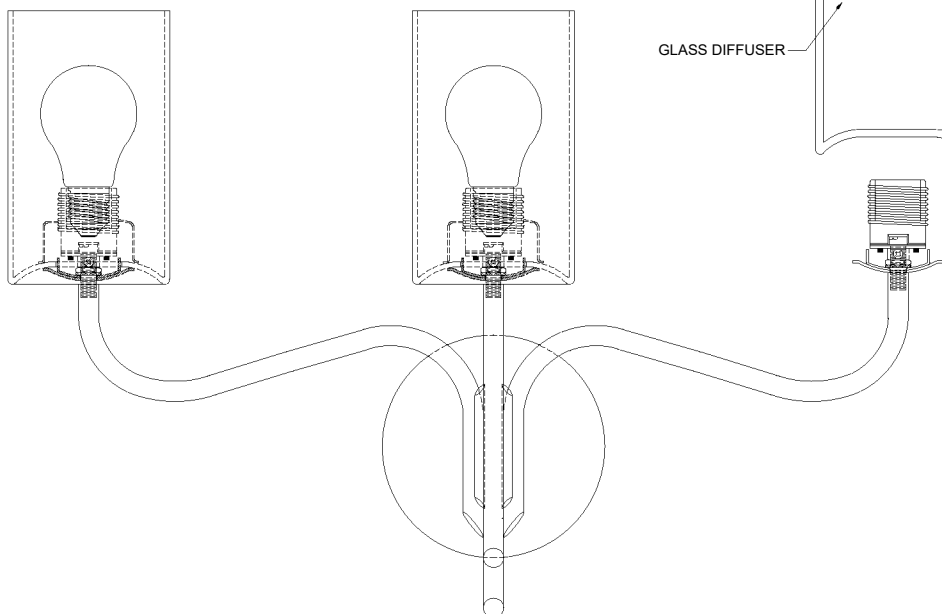
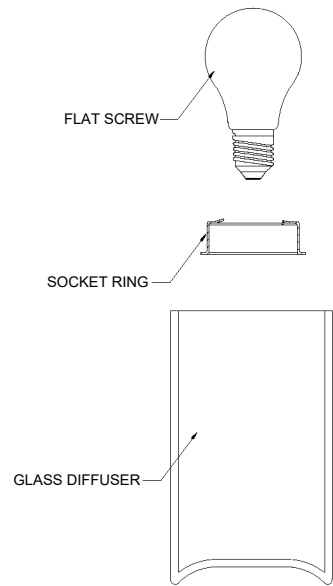


FIGURE-03

