

REQUIRED TOOLS:

- Electric Drill
- 1/8" Drill Bit
- Phillips Head Screwdriver

INCLUDED HARDWARE + TOOLS:



#8x1" Wood Screw (x2)

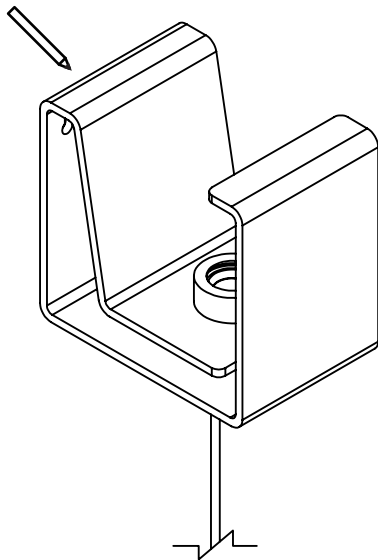


Self Drilling Anchor (x2)

Mounting Template (x1)

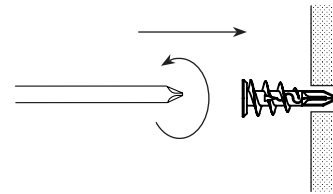
INSTALLATION INSTRUCTIONS

1. If using as a table lamp, plug in and enjoy! If using as a sconce proceed to the following step.
2. Hold Sconce against wall in mounting location. With a pencil, mark top/center of Sconce Body.



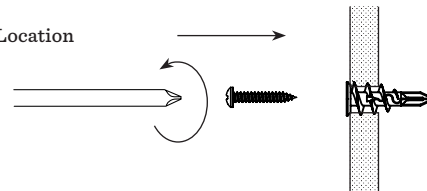
3. Align point A on Mounting Template with pencil mark, then adhere Mounting Template to wall. Determine wall substrate behind points B & C.
4. For stud locations, drill through drywall and into stud using 1/8" Drill Bit.

5. For non-stud locations, use #2 Phillips Head Screwdriver to slightly press Anchor tip into drywall. Turn Anchor until flush with drywall.

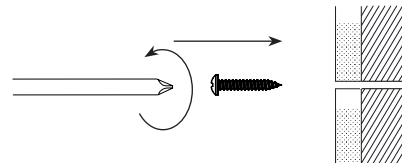


6. Thread Wood Screws into pre-drilled holes or Anchors. Tighten with Phillips Head Screwdriver leaving screwheads 3/8" from wall.

Non-stud Location



Stud Location



7. Align Sconce Body keyholes with Screws and slide Sconce down to mount. If Sconce is loose, remove from wall and tighten Screws. Install Sconce again to check fit. Repeat as necessary.

