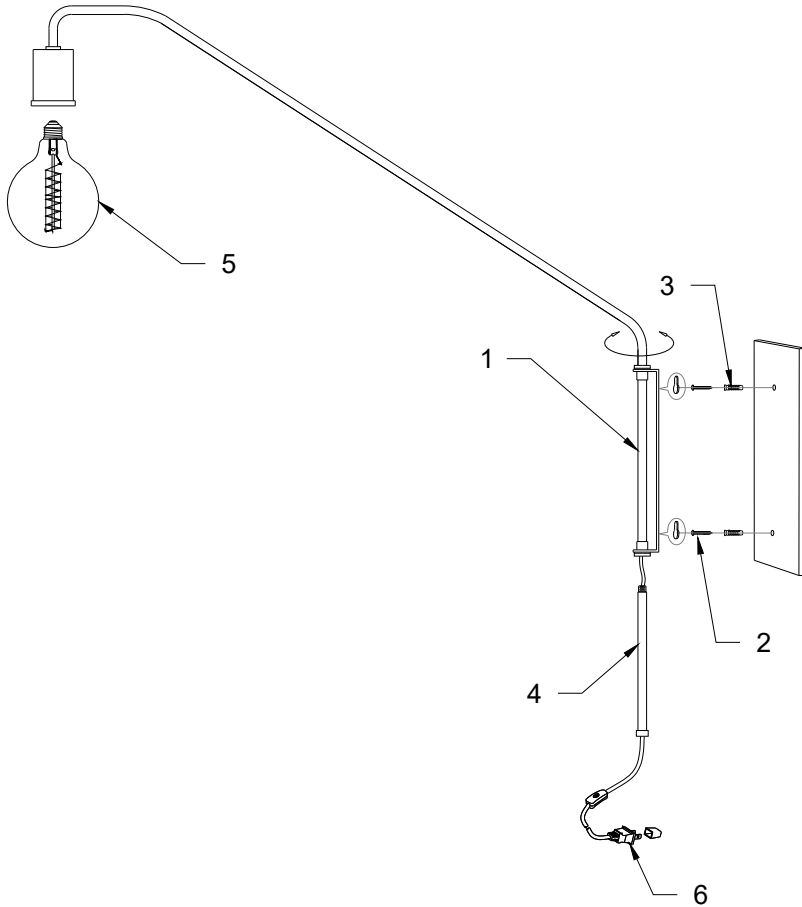


⚠ WARNING/CAUTION

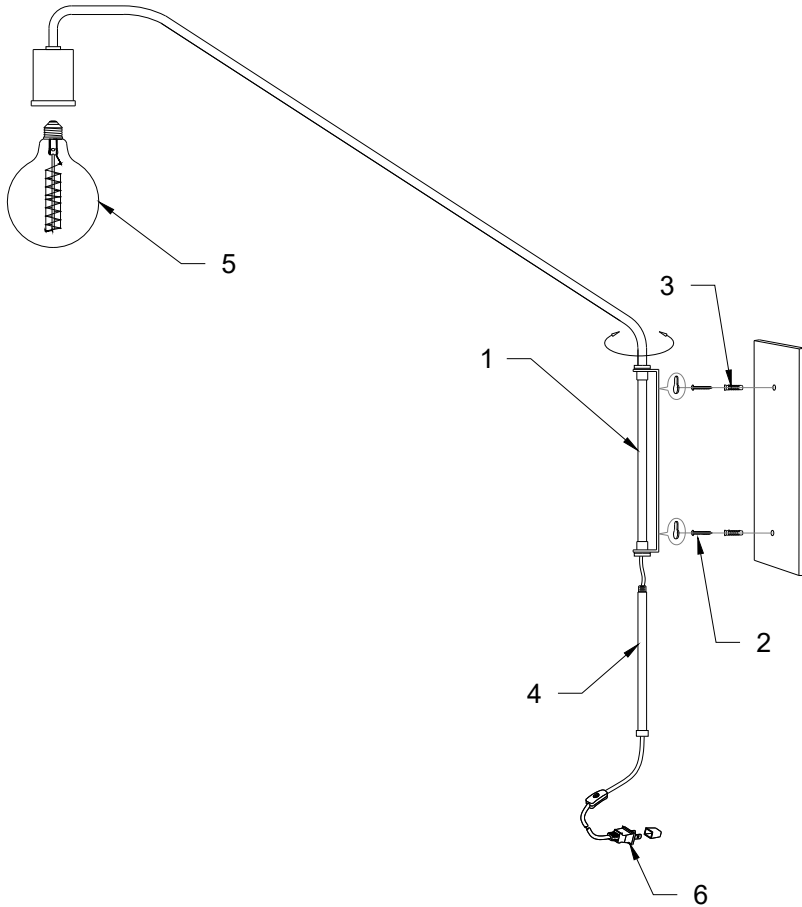
- **DISCONNECT POWER BEFORE RE-LAMPING OR WIRING THE FIXTURE. READ ALL INSTRUCTIONS COMPLETELY BEFORE STARTING INSTALLATION.**
- **TO AVOID THE RISK OF FIRE OR SHOCK, FIXTURE MUST BE INSTALLED IN COMPLIANCE WITH ALL APPLICABLE NATIONAL AND LOCAL ELECTRICAL/BUILDING CODES. THE INSTALLATION AND MAINTENANCE OF THIS UNIT SHOULD BE COMPLETED BY A LICENSED ELECTRICIAN OR CERTIFIED FACTORY TRAINED TECHNICIAN.**
- **CALIFORNIA PROP 65: THIS LIGHTING FIXTURE CONTAINS CHEMICALS KNOWN TO THE STATE OF CALIFORNIA TO CAUSE CANCER, BIRTH DEFECTS, AND/OR OTHER REPRODUCTIVE HARM. WASH HANDS AFTER USE.**
- **REMOVE THE FIXTURE, PARTS AND PARTS BAG(S) FROM THE CARTON. BEFORE DISCARDING THE CARTON, DOUBLE CHECK TO MAKE CERTAIN THAT ALL PARTS ARE FOUND. INSPECT THE FIXTURE PRIOR TO INSTALLATION FOR ANY DAMAGE TO THE FIXTURE.**
- **PLEASE CLEAN WITH A SOFT, DRY CLOTH ONLY! DO NOT USE CLEANSERS**



FIXTURE INSTALLATION

1. Determine the location for the lamp. Using the FIXTURE ASSEMBLY(1) as a template, mark the location of the hole for the ANCHOR(3).
2. Drill the appropriate size holes for the ANCHOR(3) (the holes should be slightly smaller than the size of the anchors). Install the ANCHORS(3) to the hole.
3. Screw the WOOD SCREW(2) to the ANCHOR(3).
4. Hang the FIXTURE ASSEMBLY(1) to the WOOD SCREW(2).
5. Assemble the STEM(4) to the FIXTURE ASSEMBLY(1).
6. Screw the BULB (5) up into the SOCKET of the fixture. **THIS FIXTURE IS RATED FOR 60 WATT LAMP. DO NOT EXCEED THE RECOMMENDED WATTAGE!**
7. Plug the PLUG(6) into the wall outlet. Turn on the ON/OFF switch online.

ITEM	DESCRIPTION	PART NUMBER
1	FIXTURE ASSEMBLY	FAS-HL566201
2	WOOD SCREW	HDW-HL566201
3	ANCHOR	HDW-HL566201
4	STEM	STM-HL566201
5	BULB	NOT INCLUDED
6	PLUG	HRD-HL566201



⚠ ATTENTION PRUDENCE

- DÉBRANCHEZ L'ALIMENTATION AVANT DE REMPLIR OU DE CÂBLER LE LUMINAIRE. LISEZ COMPLÈTEMENT TOUTES LES INSTRUCTIONS AVANT DE COMMENCER L'INSTALLATION
- POUR ÉVITER LE RISQUE D'INCENDIE OU D'ÉLECTROCUTION, LE LUMINAIRE DOIT ÊTRE INSTALLÉ CONFORMÉMENT À TOUS LES CODES ÉLECTRIQUES/DE CONSTRUCTION NATIONAUX ET LOCAUX APPLICABLES. L'INSTALLATION ET L'ENTRETIEN DE CET APPAREIL DOIVENT ÊTRE EFFECTUÉS PAR UN ÉLECTRICIEN AGRÉÉ OU UN TECHNICIEN CERTIFIÉ FORMÉ EN USINE.
- CALIFORNIE PROP 65 : CET APPAREIL D'ÉCLAIRAGE CONTIENT DES PRODUITS CHIMIQUES CONNUS PAR L'ÉTAT DE CALIFORNIE POUR PROVOQUER LE CANCER, DES MALADIES CONGÉNITALES ET/OU D'AUTRES DOMMAGES À LA REPRODUCTION. LAVÉ LES MAINS APRÈS UTILISATION.
- RETIRER LE LUMINAIRE, LES PIÈCES ET LE(S) SAC(S) DE PIÈCES DU CARTON. AVANT DE JETER LE CARTON, VÉRIFIEZ DOUBLE POUR VOUS ASSURER QUE TOUTES LES PIÈCES SONT TROUVÉES. INSPECTER LE LUMINAIRE AVANT L'INSTALLATION POUR TOUT DOMMAGE AU LUMINAIRE.
- VEUILLEZ NETTOYER UNIQUEMENT AVEC UN CHIFFON DOUX ET SEC ! N'UTILISEZ PAS DE NETTOYANTS

FIXTURE INSTALLATION

1. Determine the location for the lamp. Using the FIXTURE ASSEMBLY(1) as a template ,mark the location of the hole for the ANCHOR(3) .
2. Drill the appropriate size holes for the ANCHOR(3) (the holes should be slightly smaller than the size of the anchors).Install the ANCHORS(3) to the hole.
3. Screw the WOOD SCREW(2) to the ANCHOR(3).
4. Hang the FIXTURE ASSEMBLY(1) to the WOOD SCREW(2) .
5. Assemble the STEM(4) to the FIXTURE ASSEMBLY(1) .
6. Screw the BULB (5) up into the SOCKET of the fixture. **THIS FIXTURE IS RATED FOR 60 WATT LAMP. DO NOT EXCEED THE RECOMMENDED WATTAGE!**
7. Plug the PLUG(6) into the wall outlet .Turn on the ON/OFF switch online .

ITEM	DESCRIPTION	PART NUMBER
1	FIXTURE ASSEMBLY	FAS-HL566201
2	WOOD SCREW	HDW-HL566201
3	ANCHOR	HDW-HL566201
4	STEM	STM-HL566201
5	BULB	NOT INCLUDED
6	PLUG	HRD-HL566201