



ASSEMBLY AND MOUNTING INSTRUCTIONS

GENERAL

- **WARNING-ALWAYS UNPLUG THE LAMP TO CUT ELECTRIC POWER OFF BEFORE INSTALLING, CLEANING, OR OTHER MAINTENANCE.**
- **FAILURE TO INSTALL FIXTURE CORRECTLY COULD RESULT IN SERIOUS INJURY OR DEATH**
- READ ALL INSTRUCTIONS BEFORE STARTING INSTALLATION.
- BEFORE DISCARDING THE CARTON DOUBLE CHECK THE PACKAGING TO MAKE SURE ALL PARTS HAVE BEEN FOUND.

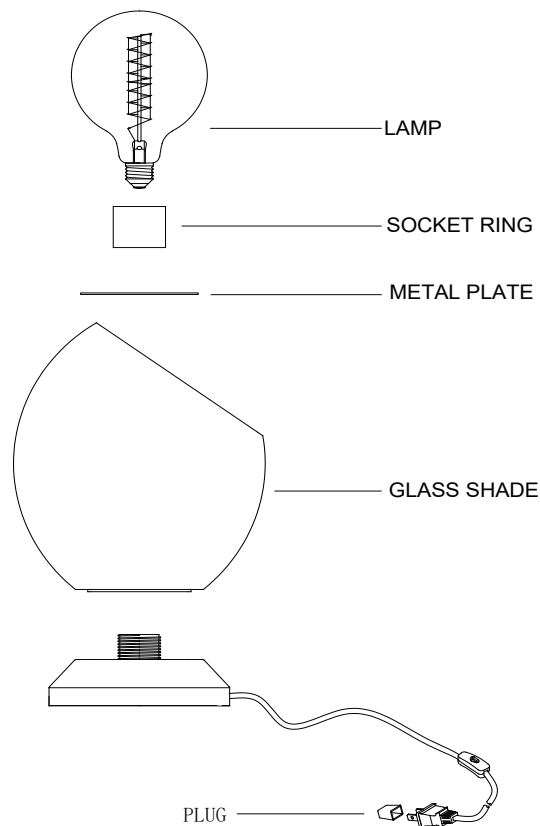
INSTALLATION

- STEP 1.** Remove the table lamp and parts from the Carton.
- STEP 2.** Attach the glass shade onto fixture, secured it with the metal plate and socket ring.
- STEP 3.** Install the Lamp. This fixture is rated for 60-watt TYPE G lamp.
- STEP 4.** **DO NOT EXCEED RECOMMENDED WATTAGE** Plug cord into a qualified socket of properly rated voltage.
- STEP 5.** On/Off switch installed on cord.

CLEANING

Please clean with a soft, dry cloth ONLY! Do not use cleaning products

ASSEMBLY AND MOUNTING DIAGRAM





mitzi
HUDSON VALLEY LIGHTING

HL442201 CLAUDIA TABLE LAMP
