



[REDACTED] 201 ALY TABLE LAMP

## ASSEMBLY AND MOUNTING INSTRUCTIONS

---

### GENERAL

- **WARNING-ALWAYS UNPLUG THE LAMP TO CUT ELECTRIC POWER OFF BEFORE INSTALLING, CLEANING, OR OTHER MAINTENANCE.**
- **FAILURE TO INSTALL FIXTURE CORRECTLY COULD RESULT IN SERIOUS INJURY OR DEATH**
- READ ALL INSTRUCTIONS BEFORE STARTING INSTALLATION.
- BEFORE DISCARDING THE CARTON DOUBLE CHECK THE PACKAGING TO MAKE SURE ALL PARTS HAVE BEEN FOUND.

---

### INSTALLATION

- |   |  |
|---|--|
| <b>STEP 1.</b> Remove the table lamp and parts from the Carton.   | <b>STEP 3.</b> Tilt the glass shade so that the glass into the mesh enclosure of fixture body. |
| <b>STEP 2.</b> Install the Lamp. This fixture is rated for 60 watt TYPE A lamp.<br><b>DO NOT EXCEED RECOMMENDED WATTAGE</b> | <b>STEP 4.</b> Plug cord into a qualified socket of properly rated voltage.                    |
|   | <b>STEP 5.</b> On/Off switch installed on cord.  |

---

### CLEANING

Please clean with a soft, dry cloth ONLY! Do not use cleaning products

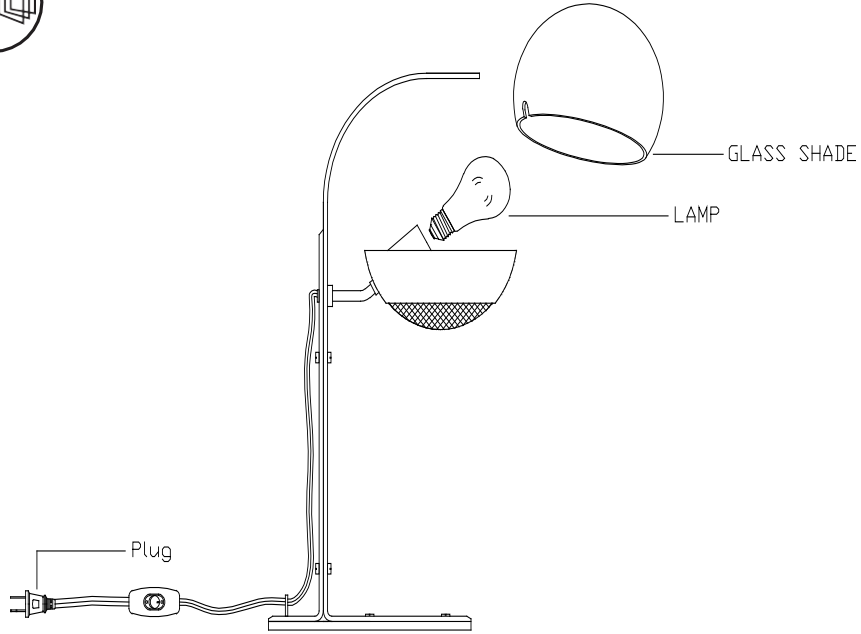
---

### ASSEMBLY AND MOUNTING DIAGRAM

---



**ZOT ALY TABLE LAMP**





[REDACTED] ZUTALY TABLE LAMP

[REDACTED]