



ASSEMBLY AND MOUNTING INSTRUCTIONS

GENERAL

- **WARNING-DISCONNECT POWER BEFORE RELAMPING OR WIRING THE FIXTURE. TURN OFF THE ENTIRE ELECTRICAL CIRCUIT TO WHICH THE LIGHTING FIXTURE IS ATTACHED**
- INSTALLATION AND MAINTENANCE OF THIS FIXTURE SHOULD BE COMPLETED BY A LICENSSED ELECTRICIAN
- **FAILURE TO INSTALL FIXTURE CORRECTLY COULD RESULT IN SERIOUS INJURY OR DEATH**
- READ ALL INSTRUCTIONS BEFORE STARTING INSTALLATION.
- IF AN EXISTING FIXTURE IS BEING REPLACED, REMOVE IT AND NOTE TO WHICH WIRE IN THE OUTLET BOX THE ORIGINAL FIXTURE WAS ATTACHED.
- BEFORE DISCARDING THE CARTON DOUBLE CHECK THE PACKAGING TO MAKE SURE ALL PARTS HAVE BEEN FOUND.
- THIS FIXTURE WAS DESIGNED TO BE MOUNTED TO AN OCTAGON OUTLET BOX. THE BOX MUST BE SECURELY MOUNTED TO THE STRUCTURE OF THE BUILDING.

INSTALLATION

- | | |
|--|---|
| <p>STEP 1. Feed the wires through pipe stems, canopy, and mounting plate. Twist stem tightly onto the body. Keep adding additional stems to you desired height.</p> | <p>STEP 7. Repeat the previous step with the hot (black wires). Make sure there are no exposed wires or strands that could cause a dangerous short circuit.
FAILURE TO CONNECT THE APPROPRIATE WIRES CORRECTLY COULD RESULT IN SERIOUS INJURY OR DEATH!</p> |
| <p>STEP 2. Slide in the canopy onto the stem, and thread it onto the stem.</p> | <p>STEP 8. Place the canopy with the fixture over the outlet box and fasten it by the ball nuts.</p> |
| <p>STEP 3. Attach the mounting plate to the outlet box by using the mounting screws.</p> | <p>STEP 9. Attach the glass shade onto the glass holder, secure it with the metal plate and socket ring.</p> |
| <p>STEP 4. Trim excess wire to min 6" beyond the canopy, strip each wire to 5/8".</p> | <p>STEP 10. Install the lamp(s). The fixture is rated for 60-watt type G40 lamp.</p> |
| <p>STEP 5. Fasten bare ground wire to ground wire from the wall outlet box (usually green or copper color) or connect ground wire to green screw on the mounting plate.</p> | <p>STEP 11. DO NOT EXCEED RECOMMENDED WATTAGE! Restore power to the circuit at breaker or fuse-box.</p> |
| <p>STEP 6. Connect the neutral (white) fixture wire coming from the fixture base to neutral (usually white) outlet wire. Fasten both wires together with a plastic wire nut and tightly wrap the wire nut with electrical tape.</p> | |

DIMMING

The fixture can be controlled by a wall dimming device. Only use triac/electronic dimmer. Make sure carton is marked for use with LED compact fluorescent-incandescent light source only. These can be

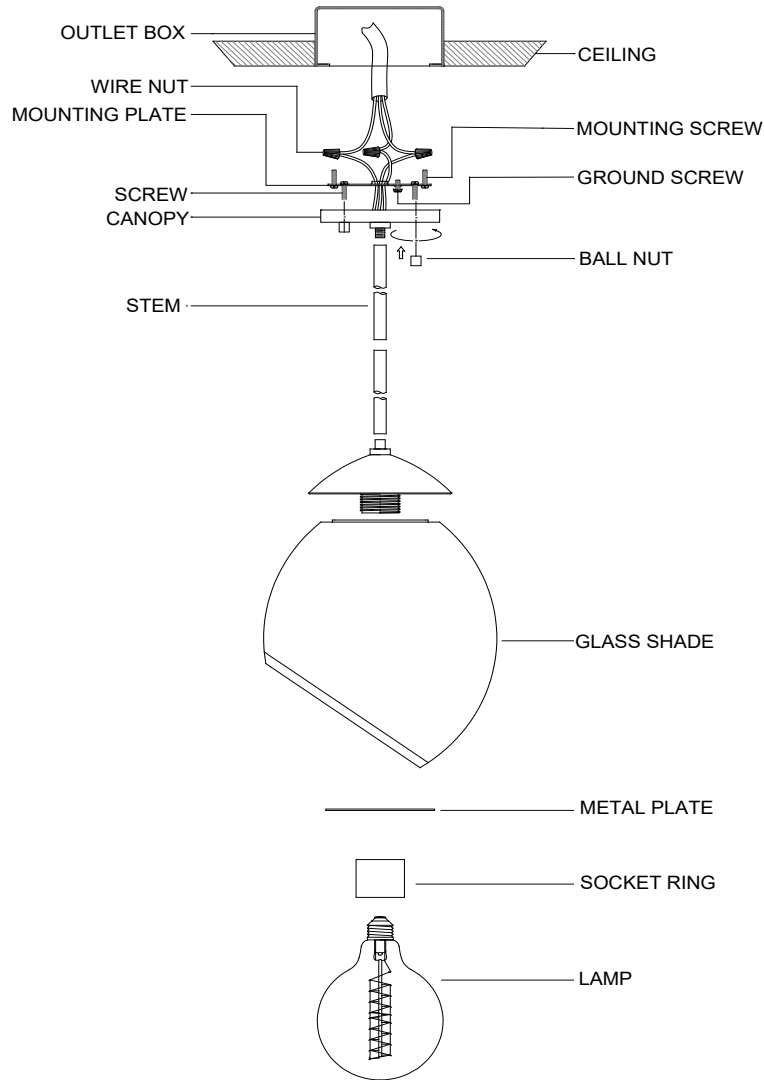
provided by your local electrical distributor, home center, or hardware store.

CLEANING

Please clean with a soft, dry cloth ONLY! Do not use cleaning products.



ASSEMBLY AND MOUNTING DIAGRAM



WIRE NUT/TAPING DIAGRAM

