



ASSEMBLY AND MOUNTING INSTRUCTIONS

GENERAL

- **WARNING-DISCONNECT POWER BEFORE RELAMPING OR WIRING THE FIXTURE. TURN OFF THE ENTIRE ELECTRICAL CIRCUIT TO WHICH THE LIGHTING FIXTURE IS ATTACHED**
- INSTALLATION AND MAINTENANCE OF THIS FIXTURE SHOULD BE COMPLETED BY A LICENSED ELECTRICIAN
- **FAILURE TO INSTALL FIXTURE CORRECTLY COULD RESULT IN SERIOUS INJURY OR DEATH**
- READ ALL INSTRUCTIONS BEFORE STARTING INSTALLATION.
- IF AN EXISTING FIXTURE IS BEING REPLACED, REMOVE IT AND NOTE TO WHICH WIRE IN THE OUTLET BOX THE ORIGINAL FIXTURE WAS ATTACHED.
- BEFORE DISCARDING THE CARTON DOUBLE CHECK THE PACKAGING TO MAKE SURE ALL PARTS HAVE BEEN FOUND.
- THIS FIXTURE WAS DESIGNED TO BE MOUNTED TO AN OCTAGON OUTLET BOX. THE BOX MUST BE SECURELY MOUNTED TO THE STRUCTURE OF THE BUILDING.

INSTALLATION

- STEP 1.** Pull the wires out from the outlet box, and install mounting plate onto the outlet box using the (2) mounting screws. Strip the fixture wires ½" long at the ends.
- STEP 2.** Fasten bare ground wire to ground wire from the wall outlet box (usually green or copper color) or connect ground wire to green screw on the mounting plate.
- STEP 3.** Connect the neutral (white) fixture wire coming from the fixture base to neutral (usually white) outlet wire. Fasten both wires together with a plastic wire nut and tightly wrap the wire nut with electrical tape.
- STEP 4.** Repeat the previous step with the hot (black wires). Make sure there are no exposed wires or strands that could cause a dangerous short circuit.
- STEP 5.** Carefully place connections back into the outlet box.
- STEP 6.** Lift the canopy up over the mounting plate and secure with set screws.
- STEP 7.** Lift the glasses and washers to the glass fitter then secure with socket ring.
- STEP 8.** Install the lamps. The fixture is rated for 60 watt type G25 lamp. **DO NOT EXCEED RECOMMENDED WATTAGE!**
- STEP 9.** Restore power to the circuit at breaker or fuse box.
- FAILURE TO CONNECT THE APPROPRIATE WIRES CORRECTLY COULD RESULT IN SERIOUS INJURY OR DEATH!**

DIMMING

The fixture can be controlled by a wall dimming device. Only use triac/electronic dimmer. Make sure carton is marked for use with LED compact fluorescent-incandescent light source only. These can be

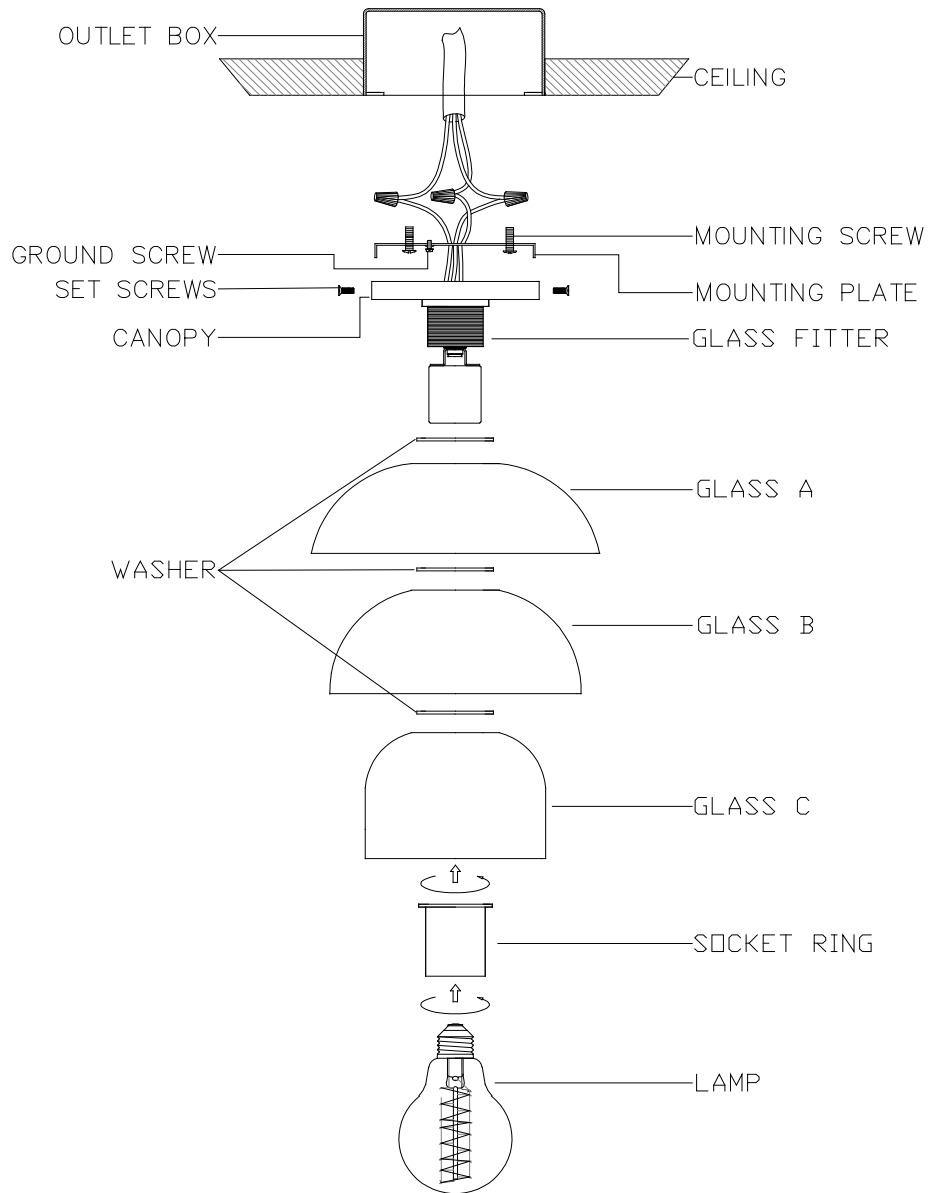
provided by your local electrical distributor, home center, or hardware store.

CLEANING

Please clean with a soft, dry cloth ONLY! Do not use cleaning products.



ASSEMBLY AND MOUNTING DIAGRAM



WIRE NUT/TAPING DIAGRAM

