



---

## ASSEMBLY AND MOUNTING INSTRUCTIONS

---

### GENERAL

---

- **WARNING-DISCONNECT POWER BEFORE RELAMPING OR WIRING THE FIXTURE. TURN OFF THE ENTIRE ELECTRICAL CIRCUIT TO WHICH THE LIGHTING FIXTURE IS ATTACHED**
- INSTALLATION AND MAINTENANCE OF THIS FIXTURE SHOULD BE COMPLETED BY A LICENSED ELECTRICIAN
- **FAILURE TO INSTALL FIXTURE CORRECTLY COULD RESULT IN SERIOUS INJURY OR DEATH**
- READ ALL INSTRUCTIONS BEFORE STARTING INSTALLATION.
- IF AN EXISTING FIXTURE IS BEING REPLACED, REMOVE IT AND NOTE TO WHICH WIRE IN THE OUTLET BOX THE ORIGINAL FIXTURE WAS ATTACHED.
- BEFORE DISCARDING THE CARTON DOUBLE CHECK THE PACKAGING TO MAKE SURE ALL PARTS HAVE BEEN FOUND.
- THIS FIXTURE WAS DESIGNED TO BE MOUNTED TO AN OCTAGON OUTLET BOX. THE BOX MUST BE SECURELY MOUNTED TO THE STRUCTURE OF THE BUILDING.

---

### INSTALLATION

---

- |   |  |
|---|--|
| <p><b>STEP 1.</b> Pull the wires out from the outlet box and install mounting plate onto the outlet box by using the (2) mounting screws.</p> <p><b>STEP 2.</b> Fasten bare ground wire to ground wire from the wall outlet box (usually green or copper color) or connect ground wire to green screw on the mounting plate.</p> <p><b>STEP 3.</b> Connect the neutral (white) fixture wire coming from the fixture base to neutral (usually white) outlet wire. Fasten both wires together with a plastic wire nut and tightly wrap the wire nut with electrical tape.</p> <p><b>STEP 4.</b> Repeat the previous step with the hot (black wires). Make sure there are no exposed wires or strands that could cause a dangerous short circuit.</p> <p><b>FAILURE TO CONNECT THE APPROPRIATE WIRES</b></p> | <p><b>CORRECTLY COULD RESULT IN SERIOUS INJURY OR DEATH!</b></p> <p><b>STEP 5.</b> Carefully place connections back into the outlet box</p> <p><b>STEP 6.</b> Lift the canopy up over the mounting plate and secure with ball nuts.</p> <p><b>STEP 7.</b> Install the lamp(s). The fixture is rated for 60-watt type A lamp.</p> <p><b>DO NOT EXCEED RECOMMENDED WATTAGE!</b></p> <p><b>STEP 8.</b> Attach the glass shade onto canopy, secured it with the set screws.</p> <p><b>STEP 9.</b> Restore power to the circuit at breaker or fuse-box.</p> |
|---|--|

---

### DIMMING

---

The fixture can be controlled by a wall dimming device. Only use triac/electronic dimmer. Make sure carton is marked for use with LED compact fluorescent-incandescent light source only. These can be

provided by your local electrical distributor, home center, or hardware store.

---

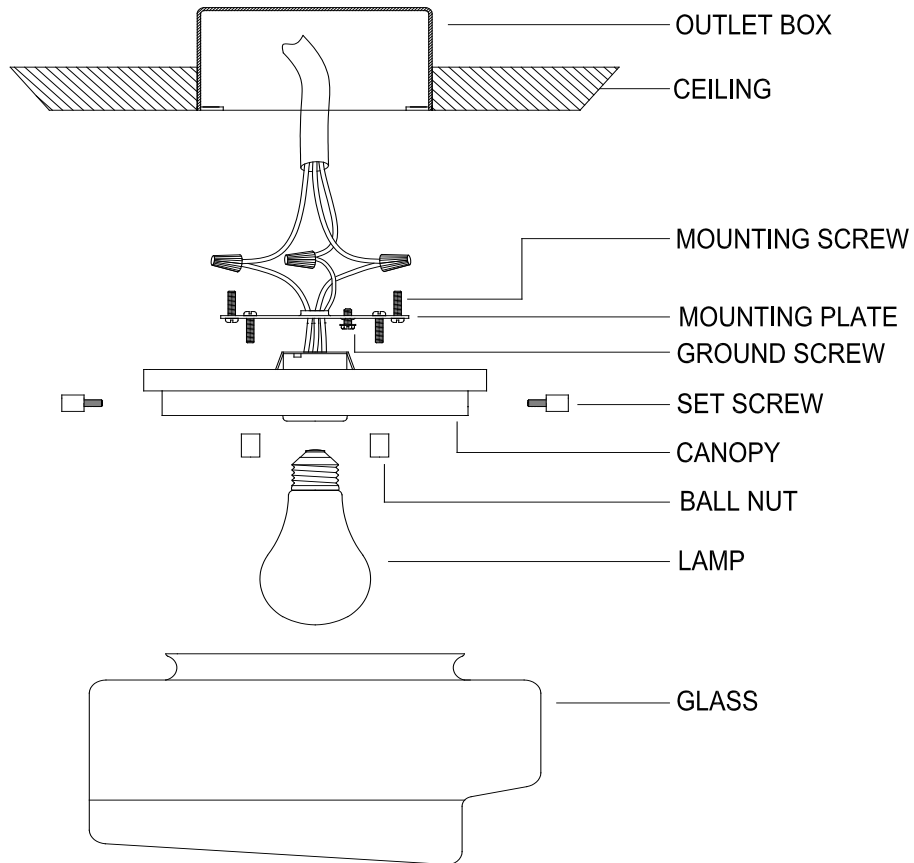
### CLEANING

---

Please clean with a soft, dry cloth ONLY! Do not use cleaning products.



**ASSEMBLY AND MOUNTING DIAGRAM**



**WIRE NUT/TAPING DIAGRAM**

