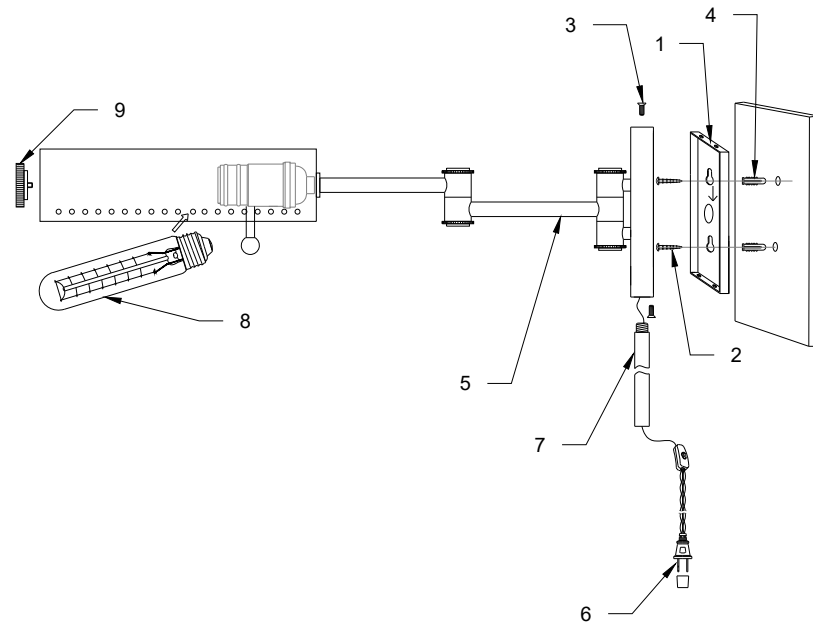


**WARNING/CAUTION**

- DISCONNECT POWER BEFORE RE-LAMPING OR WIRING THE FIXTURE. READ ALL INSTRUCTIONS COMPLETELY BEFORE STARTING INSTALLATION.
- TO AVOID THE RISK OF FIRE OR SHOCK, FIXTURE MUST BE INSTALLED IN COMPLIANCE WITH ALL APPLICABLE NATIONAL AND LOCAL ELECTRICAL/BUILDING CODES. THE INSTALLATION AND MAINTENANCE OF THIS UNIT SHOULD BE COMPLETED BY A LICENSED ELECTRICIAN OR CERTIFIED FACTORY TRAINED TECHNICIAN.
- CALIFORNIA PROP 65: THIS LIGHTING FIXTURE CONTAINS CHEMICALS KNOWN TO THE STATE OF CALIFORNIA TO CAUSE CANCER, BIRTH DEFECTS, AND/OR OTHER REPRODUCTIVE HARM. WASH HANDS AFTER USE.
- REMOVE THE FIXTURE, PARTS AND PARTS BAG(S) FROM THE CARTON. BEFORE DISCARDING THE CARTON, DOUBLE CHECK TO MAKE CERTAIN THAT ALL PARTS ARE FOUND. INSPECT THE FIXTURE PRIOR TO INSTALLATION FOR ANY DAMAGE TO THE FIXTURE.
- DIMMING: THE FIXTURE CAN BE CONTROLLED BY A WALL DIMMING DEVICE. ONLY USE TRIAC/ELECTRONIC DIMMER. MAKE SURE THE CARTON IS MARKED FOR USE WITH LED COMPACT FLUORESCENT-INCANDESCENT LIGHT SOURCE ONLY. THESE CAN BE PROVIDED BY YOUR LOCAL ELECTRICAL DISTRIBUTOR, HOME CENTER, OR HARDWARE STORE.
- PLEASE CLEAN WITH A SOFT, DRY CLOTH ONLY! DO NOT USE CLEANSERS

FIXTURE INSTALLATION (AS A PORTABLE)



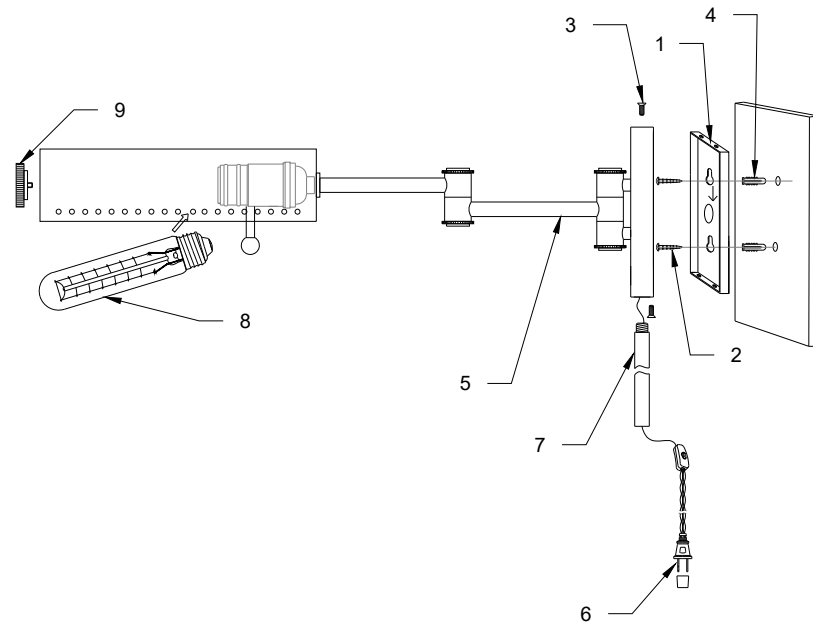
1. Screw the STEMS (7) to the bottom of back plate .
2. Determine the location for the lamp . Using the mounting plate as a template ,mark the location of the hole for the anchors .
3. Drill the appropriate size holes for the anchors (the holes should be slightly smaller than the size of the anchors ).Install the ANCHORS (4) to the hole.
4. Attach the MOUNTING PLATE (1) to the wall, screw the WOOD SCREW (2) to the ANCHORS (4).
5. Attach the FIXTURE ASSEMBLY (5) to the MOUNTING PLATE (1) and secure with the SET SCREWS (3)
6. Screw the BULB (8) up into the SOCKET of the fixture. **THIS FIXTURE IS RATED FOR 25 WATT LAMP. DO NOT EXCEED THE RECOMMENDED WATTAGE!**
7. Screw the DECORATIVE NUT (9) to the shade. Then adjust the swing arm as needed.
8. Plug the CORD (6) into the wall outlet . Turn the switch on the socket .

ITEM	DESCRIPTION	PART NUMBER
1	MOUNTING PLATE	HDW-MDS114
2	WOOD SCREW	HDW-MDS114
3	M4 SET SCREW	HDW-MDS114
4	ANCHOR	HDW-MDS114
5	FIXTURE ASSEMBLY	FAS-MDS114
6	PLUG	CRD-MDS114
7	DIA 12mm STEMS 2x12"	STM-MDS114-12
8	BULB	NOT INCLUDED
9	DECORATIVE NUT	NUT-MDS114

**⚠ ATTENTION PRUDENCE**

- DÉBRANCHEZ L'ALIMENTATION AVANT DE REMPLIR OU DE CÂBLER LE LUMINAIRE. LISEZ COMPLÈTEMENT TOUTES LES INSTRUCTIONS AVANT DE COMMENCER L'INSTALLATION
- POUR ÉVITER LE RISQUE D'INCENDIE OU D'ÉLECTROCUTION, LE LUMINAIRE DOIT ÊTRE INSTALLÉ CONFORMÉMENT À TOUS LES CODES ÉLECTRIQUES/DE CONSTRUCTION NATIONAUX ET LOCAUX APPLICABLES. L'INSTALLATION ET L'ENTRETIEN DE CET APPAREIL DOIVENT ÊTRE EFFECTUÉS PAR UN ÉLECTRICIEN AGRÉÉ OU UN TECHNICIEN CERTIFIÉ FORMÉ EN USINE.
- CALIFORNIE PROP 65 : CET APPAREIL D'ÉCLAIRAGE CONTIENT DES PRODUITS CHIMIQUES CONNUS PAR L'ÉTAT DE CALIFORNIE POUR PROVOQUER LE CANCER, DES MALADIES CONGÉNITALES ET/OU D'AUTRES DOMMAGES À LA REPRODUCTION. LAVER LES MAINS APRÈS UTILISATION.
- RETIRER LE LUMINAIRE, LES PIÈCES ET LE(S) SAC(S) DE PIÈCES DU CARTON. AVANT DE JETER LE CARTON, VÉRIFIEZ DOUBLE POUR VOUS ASSURER QUE TOUTES LES PIÈCES SONT TROUVÉES. INSPECTER LE LUMINAIRE AVANT L'INSTALLATION POUR TOUT DOMMAGE AU LUMINAIRE.
- GRADATION : LE LUMINAIRE PEUT ÊTRE CONTRÔLÉ PAR UN DISPOSITIF DE GRADATION MURALE. UTILISER UNIQUEMENT UN GRADATEUR TRIAC/ÉLECTRONIQUE. ASSUREZ-VOUS QUE LE CARTON EST MARQUÉ POUR UNE UTILISATION AVEC UNE SOURCE DE LUMIÈRE FLUORESCENTE À INCANDESCENTE COMPACTE UNIQUEMENT. CEUX-CI PEUVENT ÊTRE FOURNIS PAR VOTRE DISTRIBUTEUR ÉLECTRIQUE LOCAL, CENTRE À DOMICILE OU MAGASIN DE QUINCAILLERIE.
- VEUILLEZ NETTOYER UNIQUEMENT AVEC UN CHIFFON DOUX ET SEC ! N'UTILISEZ PAS DE NETTOYANTS

FIXTURE INSTALLATION (AS A PORTABLE)



1. Screw the STEMS (7) to the bottom of back plate .
2. Determine the location for the lamp . Using the mounting plate as a template ,mark the location of the hole for the anchors .
3. Drill the appropriate size holes for the anchors (the holes should be slightly smaller than the size of the anchors ).Install the ANCHORS (4) to the hole.
4. Attach the MOUNTING PLATE (1) to the wall, screw the WOOD SCREW (2) to the ANCHORS (4).
5. Attach the FIXTURE ASSEMBLY (5) to the MOUNTING PLATE (1) and secure with the SET SCREWS (3)
6. Screw the BULB (8) up into the SOCKET of the fixture. **THIS FIXTURE IS RATED FOR 25 WATT LAMP. DO NOT EXCEED THE RECOMMENDED WATTAGE!**
7. Screw the DECORATIVE NUT (9) to the shade. Then adjust the swing arm as needed.
8. Plug the CORD (6) into the wall outlet . Turn the switch on the socket .

ITEM	DESCRIPTION	PART NUMBER
1	MOUNTING PLATE	HDW-MDS114
2	WOOD SCREW	HDW-MDS114
3	M4 SET SCREW	HDW-MDS114
4	ANCHOR	HDW-MDS114
5	FIXTURE ASSEMBLY	FAS-MDS114
6	PLUG	CRD-MDS114
7	DIA 12mm STEMS 2x12"	STM-MDS114-12
8	BULB	NOT INCLUDED
9	DECORATIVE NUT	NUT-MDS114