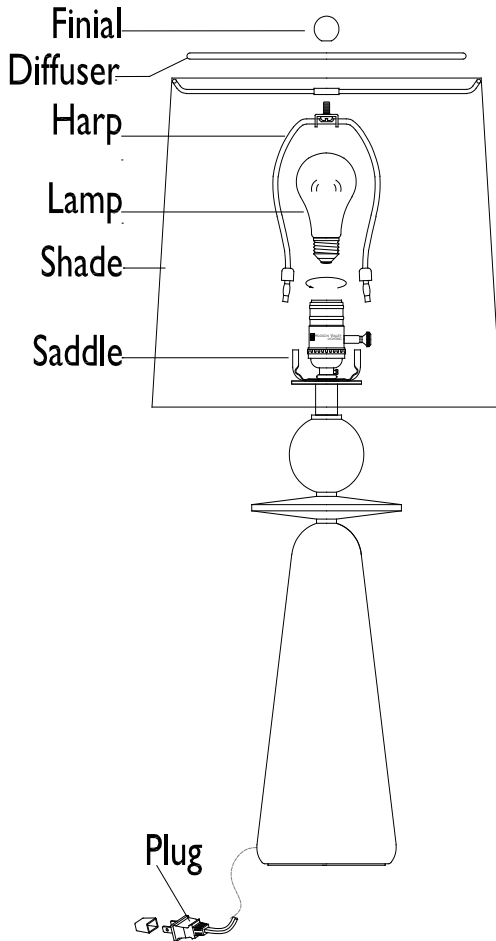


INSTALLATION INSTRUCTIONS

LI595



IMPORTANT:

Always unplug the power before installing or replacing bulb and before cleaning or other maintenance.

INSTALLATION

1. Remove the table lamp and parts bag(s) from the carton. Before discarding the carton, double check packing to make certain that all parts are found.
2. Insert the harp onto the saddle.
3. Install the lamp. The fixture is rated for 75 watt type A lamp. **DO NOT EXCEED RECOMMENDED WATTAGE !**
4. Carefully remove protective cover on the shade. Place shade and diffuser on the harp, then secure with finial.
5. Plug cord into wall outlet. Turn the switch on socket .
6. Restore power to circuit at breaker or fuse box .

Thank you for purchasing our lighting fixture.

Please clean with a soft, dry cloth **ONLY!**
Do not use cleansers.

www.hudsonvalleylighting.com