

INSTALLATION INSTRUCTIONS

KBS1352701L, KBS1352701S

GENERAL

1. To ensure the success of the fixture installation, the following instructions and diagram(s) should be read and understood.
2. All electrical connections must be made in accordance with the National Electric code and local codes and ordinances. If you are uncertain of the methods of installing electrical wiring and lighting fixtures secure the services of a qualified licensed electrician.

TOOLS NEEDED

Blade screwdriver, Phillips driver, slip joint pliers or small adjustable wrench, wire cutter/stripper, electrical current tester, stepladder and electrical tape.

INSTALLATION PREPARATION

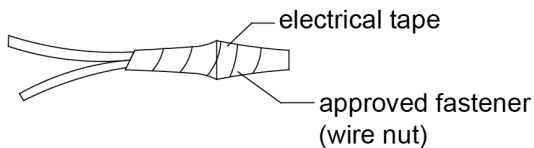
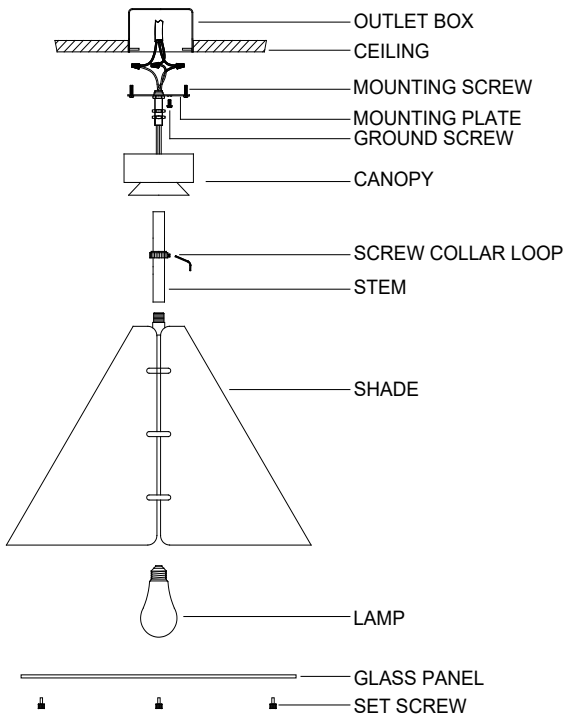
1. **TURN OFF THE ENTIRE ELECTRICAL CIRCUIT TO WHICH THE LIGHTING FIXTURE IS TO BE ATTACHED.** Turn circuit breaker to the "off" position or completely remove the fuse controlling the circuit.
2. If an existing fixture is being replaced, remove it and note to which of the wires in the outlet box the fixture was attached. **DO NOT SEPARATE MULTIPLE TWISTED WIRES THAT MAY BE IN THE BOX. DO NOT DAMAGE THE INSULATION OF OLDER WIRING.** In regular circumstances the BLACK wire will be the "Hot" lead and the WHITE wire will be the "Neutral" or "Common" lead. A GREEN or BARE COPPER wire is the "Ground". In older buildings it is always good practice to reconfirm the polarity of the wiring.
3. This fixture is designed to be mounted on an octagon box. The box must be securely mounted to the structure of the building.

FIXTURE INSTALLATION

1. Remove the fixture and parts bag(s) from the carton. Before discarding the carton, double check the packing to make certain that all parts are found.
2. Thread lead ground wire through pipe stem and twist tightly onto fixture body. Keep adding additional stems required.
3. Slide in the canopy and screw collar loop onto the stem.
4. Attach the mounting plate to the outlet box. (The green screw should face out). Pull wires out of box.
5. Thread the fixture onto the mounting plate. Trim excess wire to min. 6" beyond stem, strip to 5/8" and twist.
6. Fasten the bare ground wire to the green or bare copper wire in the outlet box or the green screw on the mounting plate.
NEVER FASTEN THE GROUND WIRE TO THE BLACK OR "HOT" WIRE ! FAILURE TO FOLLOW THIS INSTRUCTION COULD RESULT IN SERIOUS INJURY OR DEATH !
7. Fasten the white wire from the fixture to the white wire from the outlet box. Fasten the wires together with an approved fastener (wire nut) Starting about 1" below the fastener, tightly wrap the connection with electrical tape so that the tape seals the end of the fastener. **Make sure that there is no exposed wire or strands that could cause a dangerous short circuit !**
8. Connect the black fixture wires to the black wire in the outlet box. Fasten the joined wires as in step 7.
9. Attach the canopy to the ceiling and secure it by the screw collar loop.
10. Install the lamp. The KBS1352701L is rated for 100 watt type A lamp, the KBS1352701S is rated for 75 watt type A lamp.
DO NOT EXCEED RECOMMENDED WATTAGE !
11. Attach the glass panel onto the metal shade by set screws.
12. Restore power to circuit at breaker or fuse box.

DIMMING

The fixture can be controlled by a wall dimming device. Only use Triac /electronic dimmer. Make sure the carton is marked for use with LED compact fluorescent-incandescent light source only. These can be provided by your local electrical distributor, home center, or hardware store.



Thank you for purchasing our lighting fixture.

Please clean with a soft, dry cloth ONLY!
Do not use cleansers.

www.hudsonvalleylighting.com/mitzi