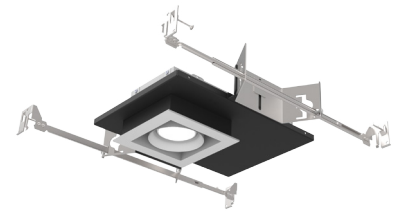


CATALOG#: _____
 PROJECT: _____
 FIXTURE TYPE: _____
 CONTACT: _____
 PHONE: _____

Wattage	CCT	Delivered Lumens	Efficacy
10W	3000K	966lm	97lpw
15W	3000K	1437lm	96lpw
20W	3000K	1739lm	87lpw
25W	3000K	2049lm	82lpw
30W	3000K	2254lm	75lpw

Lumens will vary depending on CCT, optic & lens option
 Wattage and lumens are per head



DESCRIPTION

Gyro Shift Multiples are the unique industry fixture family of high output, small opening, shallow optics lighting system. Most other multiples have a head that tilts while CSL's optics are rotatable around the LED light source that always remains at the focal point. These luminaires are compact, delivering over 2250lm per head. Each ball can be aimed individually within each bezel.

FIELD REPLACEABLE LED LIGHT ENGINE

- 10W, 15W, 20W, 25W or 30W LED with 2 SDCM binning
- 2700K, 3000K, 3500K or 4000K at 80 CRI and 90 CRI
- Field replaceable optics available in spot, narrow flood, or flood
- 50,000 hours at 70% lumen maintenance (L70)

LED Light Engine

Warm dimming LED technology provides the natural sensation of circadian rhythm.

FIELD REPLACEABLE DIMMING DRIVER

- Power factor > 0.9, 50/60Hz
- Multiple dimming drivers available
- Complies with IEEEC62.41 surge protection

HOUSING

18 gauge galvanized steel housing and junction box with 1/2" trade size knockouts. Includes universal butterfly brackets to accommodate C-Channel, adjustable bar hangers, and EMT. C-Channel is recommended for T-bar ceilings and must be ordered separately. Adjustable wood joist bar hangers are included. Max. ambient temperature: 104°F (40°C)

CEILING THICKNESS

- Accommodates ceiling thickness from 5/8" to 1-1/4"

TRIM STYLE

- Extruded aluminum

ACCESSORIES

Accommodates two (2) accessories

EMERGENCY

Remote inverter operates for 90 minutes with remote test switch available, requires above ceiling access.

LISTING/WARRANTY

- Patent pending
- Five (5) year limited warranty
- UL listed to US and Canadian standards for damp locations
- Title 24 compliant
- CCEA approved - Chicago rated



TRIM ORDER MATRIX (Example: S3-1L-BKBK-279010-CLFR-00)

Trim	Ball Finish	Bezel Finish	Trim Finish	CCT	CRI	Optic	Media	Media 2	Rev
S3-1L	-ABL (Aegean Blue)	ABL	ABL	-27 (2700K)	80 (CRI)	10 (Spot)	-NL (No Lens)	NL (No Lens)	-00
	-BB (Burnished Bronze)	BB	BB	-30 (3000K)	90* (CRI)	30 (Narrow Flood)	-CL (Clear Lens)	CL (Clear Lens)	
	-BK (Gloss Black)	BK	BK	-35 (3500K)		50 (Flood)	-FR (Frosted Lens)	FR (Frosted Lens)	
	-BLU (Blue)	BLU	BLU	-40 (4000K)			-MP (Solite Lens)	MP (Solite Lens)	
	-DVG (Dove Gray)	DVG	DVG	-WD* (Warm Dim)			-LS (Linear Spread)	LS (Linear Spread)	
	-FLG (Flannel Gray)	FLG	FLG				-HEX* (Hex Louver)		
	-GA (Galvanized)	GA	GA				-WW* (Wall Wash)		
	-GWT (Gloss White)	GWT	GWT		*Note: Warm dim max wattage is 15W			*Note: Can only fit 1 media if HEX, or WW is selected	
	-LG (Lime Green)	LG	LG						
	-MB (Matte Black)	MB	MB						
	-MBL (Midnight Blue)	MBL	MBL						
	-PNA (Painted Natural Aluminum)	PNA	PNA						
	-PNC (Painted Natural Copper)	PNC	PNC						
	-RD (Red)	RD	RD						
	-SGR (Sage Green)	SGR	SGR						
	-SND (Sand)	SND	SND						
	-SS (Satin Silver)	SS	SS						
	-TBZ (Textured Bronze)	TBZ	TBZ						
	-TGP (Textured Graphite)	TGP	TGP						
	-TNG (Tangerine)	TNG	TNG						
-TTL (Tahitian Teal)	TTL	TTL							
-WT (Semi Gloss White)	WT	WT							
-YEL (Yellow)	YEL	YEL							

Media

S3-Lens-CL-0 (Clear Lens)
 S3-Lens-FR-0 (Frosted Lens)
 S3-Lens-MP-0 (Solite Lens)
 S3-Lens-LS-0 (Linear Spread)
 S3-Lens-HEX-0* (Hex Louver)
 S3-Lens-WW-0* (Wall Wash)

*Note: Can only fit 1 media if HEX or WW is selected

KEY: STANDARD FINISHES

ABL (Aegean Blue)	GA (Galvanized)	PNC (Painted Natural Copper)	TGP (Textured Graphite)
BB (Burnished Bronze)	GWT (Gloss White)	RD (Red)	TNG (Tangerine)
BK (Gloss Black)	LG (Lime Green)	SGR (Sage Green)	TTL (Tahitian Teal)
BLU (Blue)	MB (Matte Black)	SND (Sand)	WT (Semi Gloss White)
DVG (Dove Gray)	MBL (Midnight Blue)	SS (Satin Silver)	YEL (Yellow)
FLG (Flannel Gray)	PNA (Painted Natural Aluminum)	TBZ (Textured Bronze)	

Optics

S3-10-OPTIC-0 (10° Spot)
S3-30-OPTIC-0 (30° Narrow Flood)
S3-50-OPTIC-0 (50° Flood)

Revised 12/01/2020

Patent: cslighting.com/patents

14508 Nelson Ave. City of Industry, CA 91744 • tel: 626.336.4511 • fax: 626.330.4266 • www.cslighting.com
 ©2020 Creative Systems Lighting, A Division of Troy-CSL Lighting, Inc. All rights reserved. Subject to change without notice.

HOUSING ORDER MATRIX (EXAMPLE: S3F-1LRN-10S-00)

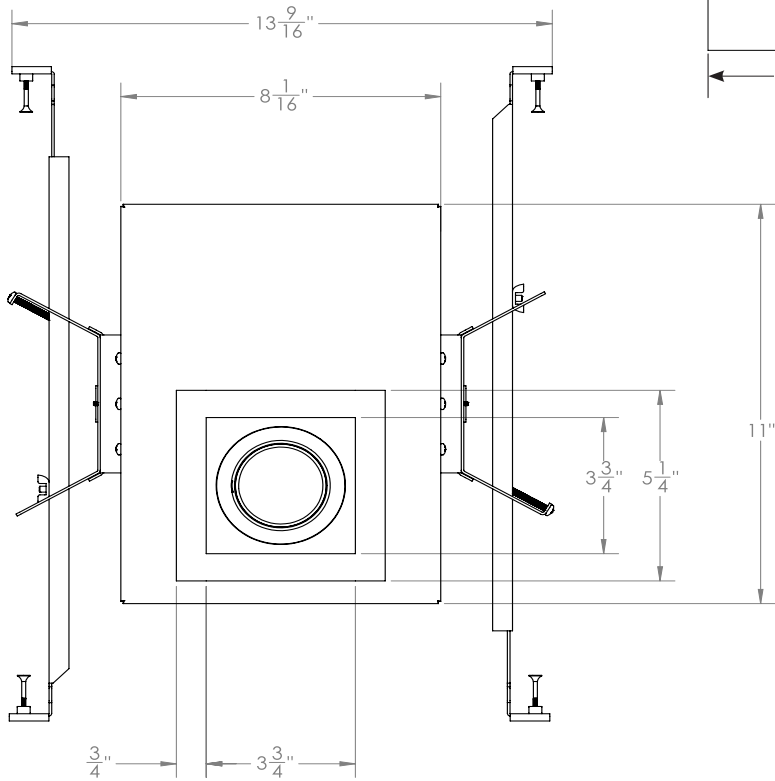
Frame Size	Housing Type	Watts Per Head	Driver	Rev	Hanger Bar
S3F-1L	RN (Recessed Non-IC)	-10 (10W)	S¹ (ERP, Universal Dim, Triac/ELV/0-10V 10% 120-277V)	-00	(Blank) (Standard)
	RI (Recessed IC*)	-15 (15W)	L1 (Lutron Hi-lume® 2-Wire 1% 120V)		-LCB-48 (48" C-Channel)
	RC (Recessed Chicago Rated*)	-20 (20W)	L2 (Lutron EcoSystem® 5% 120-277V)		
		-25 (25W)	L3 (Lutron Hi-lume® Fade-to-Black 1% 120-277V)		
		-30 (30W)	EL1 (eldoLED DALI 1% 120-277V)		
		EL2 (eldoLED 0-10V 1% 120-277V)			
*Note: Recessed IC and RC available in 25W max			DMX² (DMX 1% 120-277V)		
			LR1³ (Remote Lutron Hi-lume® 2-Wire 1% 120V)		
			SR1³ (Remote ERP, Universal Dim, Triac/ELV/0-10V 10% 120-277V)		

1. Forward and reverse phase dimming at 120V only.
2. DMX only for Non-IC
3. LR1 & SR1 only for Non-IC

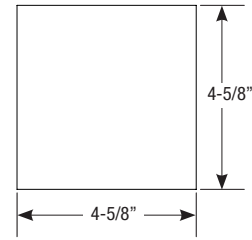
SPECIFICATIONS

WATTS	10W, 15W, 20W, 25W, 30W
EFFICACY	Up to 97 lpw
CRI	80+ CRI and 90+ CRI
CCT OPTIONS	2700K, 3000K, 3500K or 4000K
VOLTAGE	120V - 277V, or 120V
DIMMING	TRIAC, ELV, 0-10V, EcoSystem®, DALI, DMX
OPTICS	10°, 30°, 50° / Accepts up to 2 lenses, ordered separately
ADJUSTABILITY	45° tilt infinite rotation with tool-free locking
CEILING APPEARANCE	Trim
CEILING CUTOUT	4-3/4" x 4-3/4"
HOUSING	Non-IC, Airtight, Chicago Rated
POWER SUPPLY	Constant Current driver with +.9 power factor and +85% efficiency
GENERAL LISTING	UL listed. Damp listed.
CONSTRUCTION	18 gauge galvanized steel
FINISH	22 Standard powder coat finishes
LED LIFETIME	L70; 50,000 hours @ 70% lumen maintenance
WARRANTY	5 years

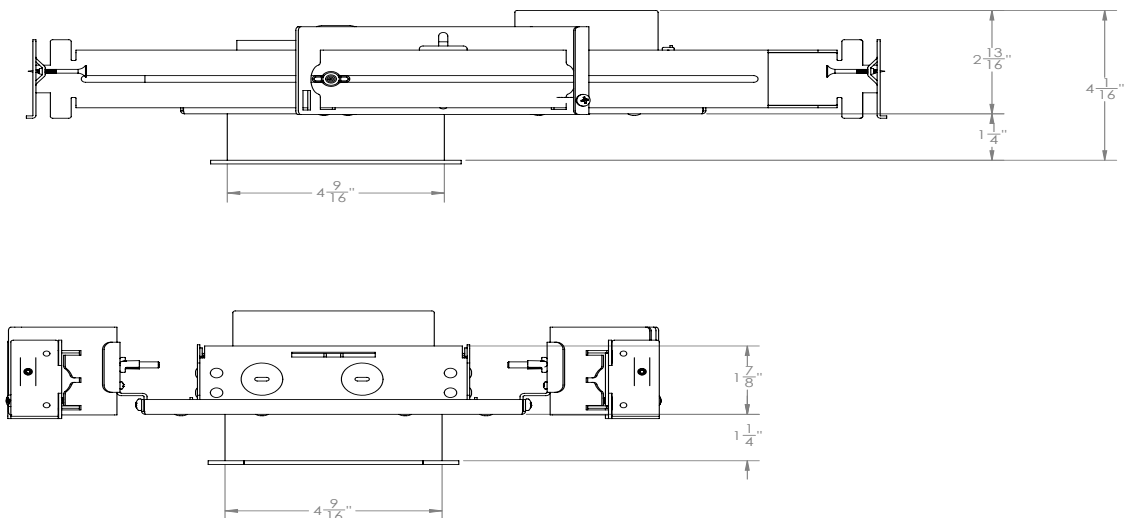
DIMENSIONS TOP VIEW



DIMENSIONS CEILING CUT-OUT: MAX CEILING THICKNESS 1.25"



DIMENSIONS ELEVATION VIEW



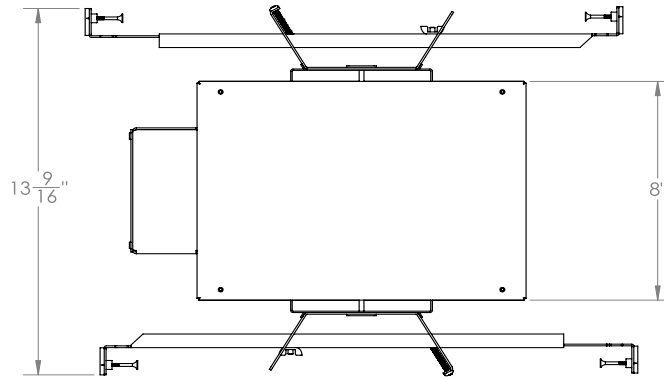
Revised 12/01/2020

Patent: cslighting.com/patents

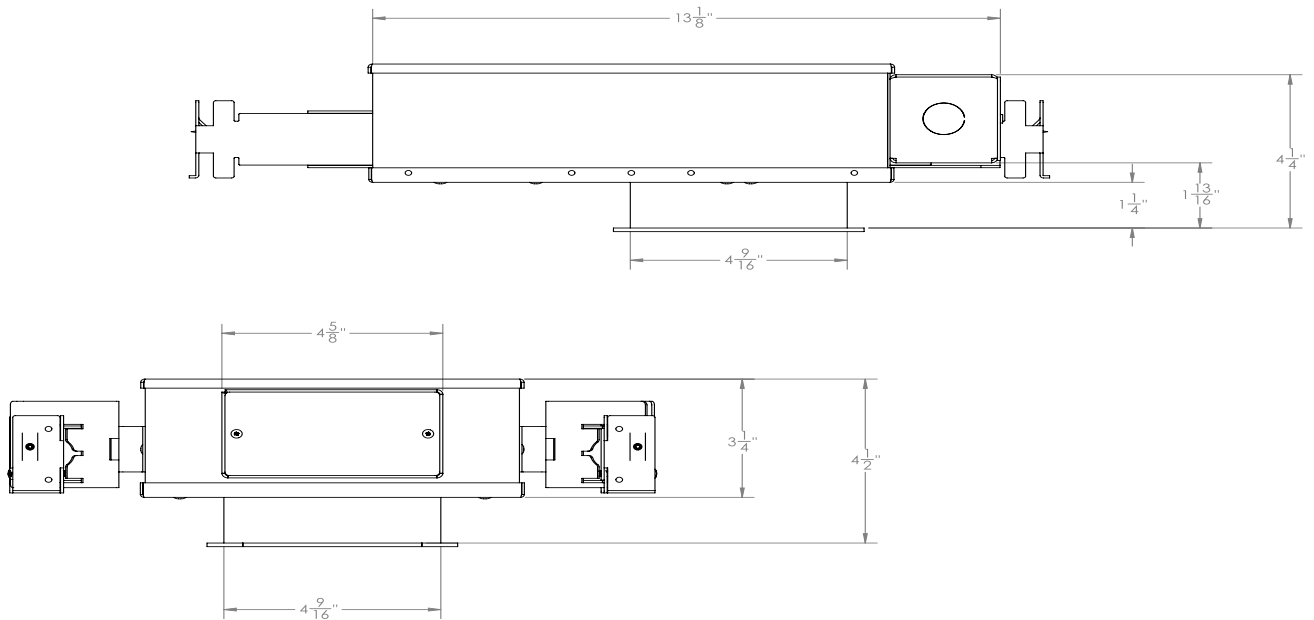
14508 Nelson Ave. City of Industry, CA 91744 • tel: 626.336.4511 • fax: 626.330.4266 • www.cslighting.com

©2020 Creative Systems Lighting, A Division of Troy-CSL Lighting, Inc. All rights reserved. Subject to change without notice.

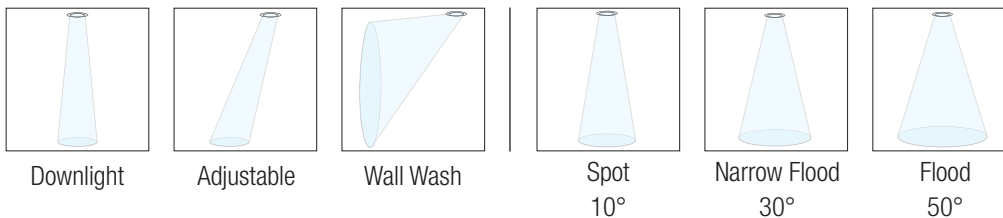
IC CHICAGO RATED
DIMENSIONS TOP VIEW



DIMENSIONS ELEVATION VIEW



BEAM SPREADS



Revised 12/01/2020

Patent: cslighting.com/patents

14508 Nelson Ave. City of Industry, CA 91744 • tel: 626.336.4511 • fax: 626.330.4266 • www.cslighting.com
©2020 Creative Systems Lighting, A Division of Troy-CSL Lighting, Inc. All rights reserved. Subject to change without notice.

HOUSING ORDER MATRIX (Example: S3AF-1LFL-WT20S-00)

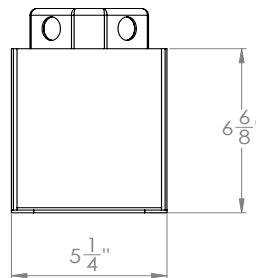
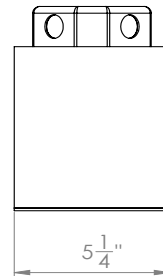
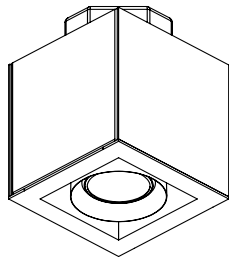
Frame Size	Housing Type	Housing Finish	Watts Per Head	Driver	Rev
S3AF-1L	FL (Flush Mount)	ABL (Aegean Blue)	-10 (10W)	S¹ (ERP, Universal Dim, Triac/ELV/0-10V 10% 120-277V) L1 (Lutron Hi-lume [®] 2-Wire 1% 120V) L2 (Lutron EcoSystem [®] 5% 120-277V) L3 (Lutron Hi-lume [®] Fade-to-Black 1% 120-277V) EL1 (eidoLED DALI 1% 120-277V) EL2 (eidoLED 0-10V 1% 120-277V)	-00
	FC (Flush Conduit)	BB (Burnished Bronze)	-15 (15W)		
	SS² (Suspended Stem)	BK (Gloss Black)	-20 (20W)		
	SA³ (Suspended Aircraft)	BLU (Blue)	-25 (25W)		
		DVG (Dove Gray)	-30 (30W)		
		FLG (Flannel Gray)			
		GA (Galvanized)			
		GWT (Gloss White)			
		LG (Lime Green)			
		MB (Matte Black)			
		MBL (Midnight Blue)			
		PNA (Painted Natural Aluminum)			
		PNC (Painted Natural Copper)			
		RD (Red)			
		SGR (Sage Green)			
		SND (Sand)			
		SS (Satin Silver)			
		TBZ (Textured Bronze)			
		TGP (Textured Graphite)			
		TNG (Tangerine)			
	TTL (Tahitian Teal)				
	WT (Semi Gloss White)				
	YEL (Yellow)				

1. Forward and reverse phase dimming at 120V only.
2. 4' of stem kit: (1) 6", (2) 12" & (1) 18"
3. (4) 10' Aircraft Cable

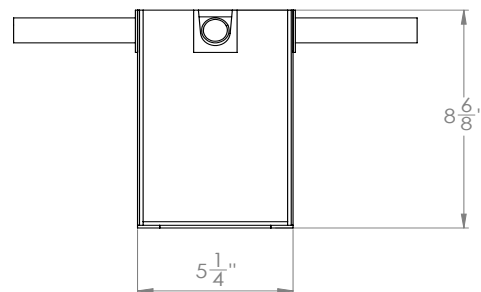
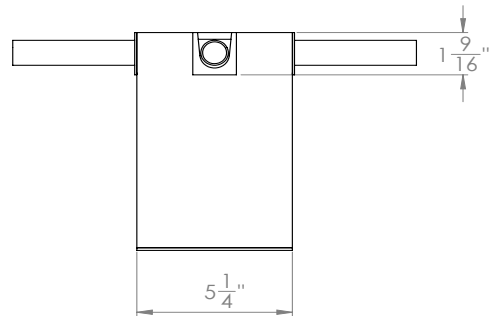
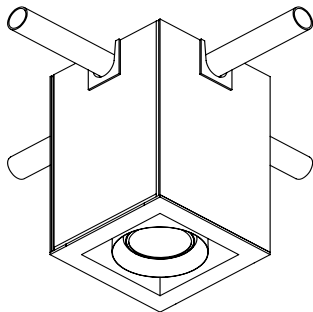
SPECIFICATIONS

WATTS	10W, 15W, 20W, 25W, 30W
EFFICACY	Up to 97lpw
CRI	80+ CRI and 90+ CRI
CCT OPTIONS	2700K, 3000K, 3500K or 4000K
VOLTAGE	120V - 277V, or 120V
DIMMING	TRIAC, ELV, 0-10V, EcoSystem [®] , DALI
OPTICS	10°, 30°, 50° / Accepts up to 2 lenses, ordered separately
ADJUSTABILITY	45° tilt infinite rotation with tool-free locking
CEILING APPEARANCE	Flush Mount Housing, Pendant Housing
CEILING CUTOUT	4-3/4" x 4-3/4"
HOUSING	Flush Mount, Suspended Stem, Suspended Aircraft
POWER SUPPLY	Constant Current driver with +.9 power factor and +85% efficiency
GENERAL LISTING	UL listed. Damp listed.
CONSTRUCTION	18 gauge galvanized steel
FINISH	22 Standard powder coat finishes
LED LIFETIME	L70; 50,000 hours @ 70% lumen maintenance
WARRANTY	5 years

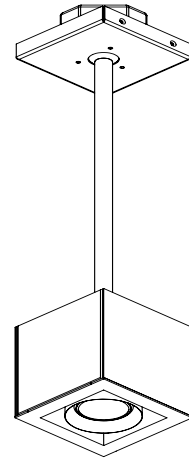
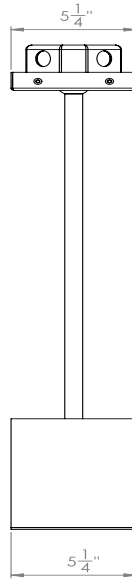
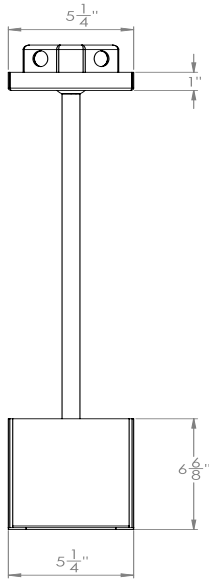
FLUSH MOUNT DIMENSIONS



FLUSH CONDUIT DIMENSIONS



SUSPENDANT STEM DIMENSIONS



SUSPENDANT AIRCRAFT DIMENSIONS

