



DIMMING DRIVER COMPATIBILITY

Dimmer List			
"S" ERP PHASE-CUT DIMMERS			
Dimmer Information		Dimming Range	
Manufacturer	Product	Maximum	Minimum
Cooper	DAL06P	100%	0%
	DLC03P	100%	0%
	SLC03P	100%	0%
Leviton	6161	99%	10%
	6631-2	100%	0%
	6633-P	100%	0%
	6673-10W	99%	6%
	6683-IW	100%	2%
	IPE04	100%	3%
	IPI06-1LZ	100%	0%
	VPE06	100%	5%
Lightolier	ZP260QEW	99%	3%
Lutron	CT103P	99%	6%
	DV600P	99%	3%
	DVCL-153P	99%	0%
	DVELV303P	97%	3%
	FAELV500	99%	7%
	LG600P	99%	5%
	MAELV600	99%	7%
	S600P	99%	1%
	S-603PG	86%	4%
	SELV300P	97%	3%
	TG-600P	99%	13%
TGCL-153P	99%	2%	

IMPORTANT SAFETY INSTRUCTIONS

- SAVE THESE INSTRUCTIONS

1. Keep these instructions in a safe place for future reference.
2. Only qualified electricians in accordance to local codes should install these fixtures.
3. De-energize the electrical circuit at the circuit breaker prior to installation process or servicing.
4. Make sure all connections are in accordance with the National Electrical Code and any local regulations.
5. Cap any wires not used separately (not together).

SPEC-00250 Revised 12/10/2019

14508 Nelson Ave., City of Industry, CA 91744 · T: 626.336.4511 · F: 626.330.4266

©2019 Creative Systems Lighting, A Division of Troy-CSL Lighting, Inc.

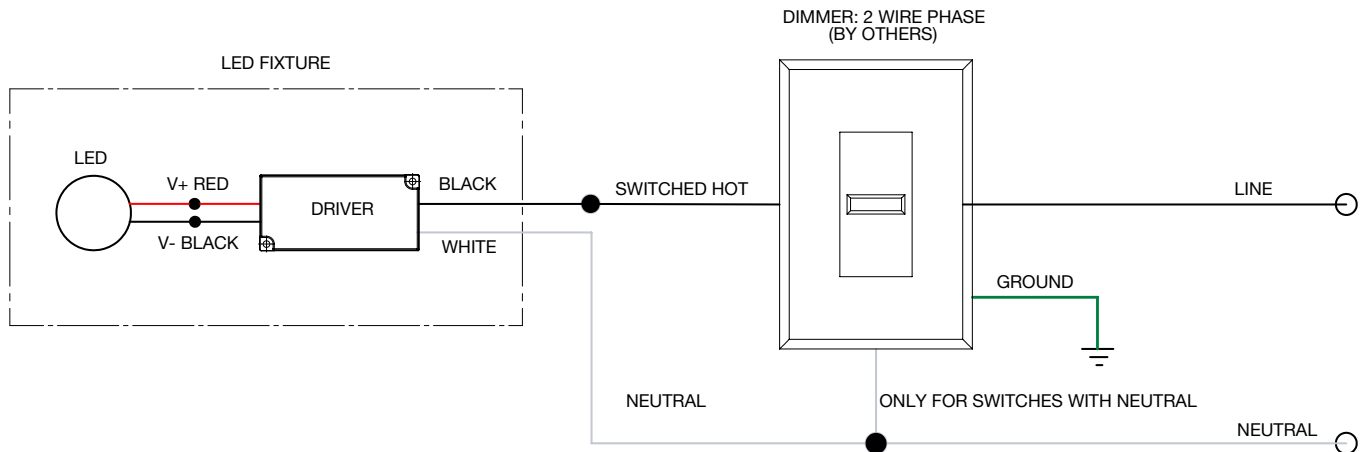
All rights reserved. In a continuing effort to offer the best product possible, we reserve the right to change, without notice, specifications or materials that in our opinion will not alter the function of the product. Specification sheets found at www.csllighting.com are the most recent versions and supercede all other printed or electronic versions.

DIMMING DRIVER COMPATIBILITY

NOTES:

Wiring diagrams are examples of typical installations intended to illustrate the number of wires that must be run to fixture. These diagrams are not intended to specify all equipment necessary for a given dimming circuit. Refer to specific dimmer manufacturer's documentation for details.

S- ERP DRIVER 2 WIRE PHASE DIMMING



IMPORTANT SAFETY INSTRUCTIONS

- SAVE THESE INSTRUCTIONS

1. Keep these instructions in a safe place for future reference.
2. Only qualified electricians in accordance to local codes should install these fixtures.
3. De-energize the electrical circuit at the circuit breaker prior to installation process or servicing.
4. Make sure all connections are in accordance with the National Electrical Code and any local regulations.
5. Cap any wires not used separately (not together).

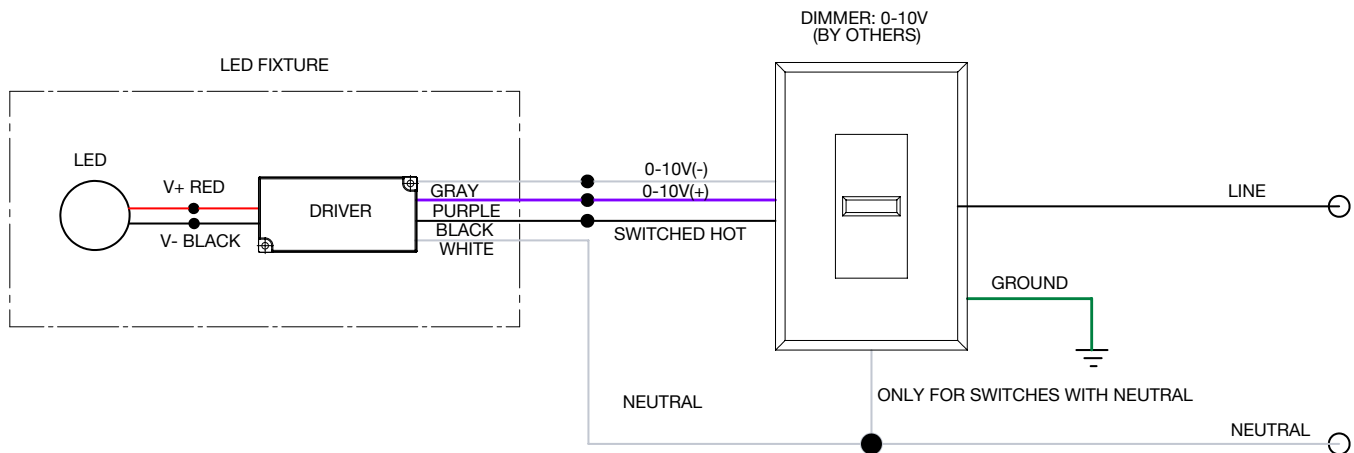
DIMMING DRIVER COMPATIBILITY

Dimmer List			
"S" ERP 0-10V			
Manufacturer	Product	Maximum	Minimum
Leviton	IP740-DLZ	100%	10%
Lichtolier	ZP600FAM120	100%	10%
	V2000FAMU	100%	10%
Lutron	DVTV	100%	10%
	NTFTV	100%	10%
Crestron	CLS-EXP-DIMFLV	100%	10%
	DIN-4DIMFLV4	100%	10%
	DIN-A08	100%	10%
	GLX-DIMFLV8	100%	10%

NOTES:

Wiring diagrams are examples of typical installations intended to illustrate the number of wires that must be run to fixture. These diagrams are not intended to specify all equipment necessary for a given dimming circuit. Refer to specific dimmer manufacturer's documentation for details.

S- ERP DRIVER 0-10V DIMMING



IMPORTANT SAFETY INSTRUCTIONS
- SAVE THESE INSTRUCTIONS

1. Keep these instructions in a safe place for future reference.
2. Only qualified electricians in accordance to local codes should install these fixtures.
3. De-energize the electrical circuit at the circuit breaker prior to installation process or servicing.
4. Make sure all connections are in accordance with the National Electrical Code and any local regulations.
5. Cap any wires not used separately (not together).

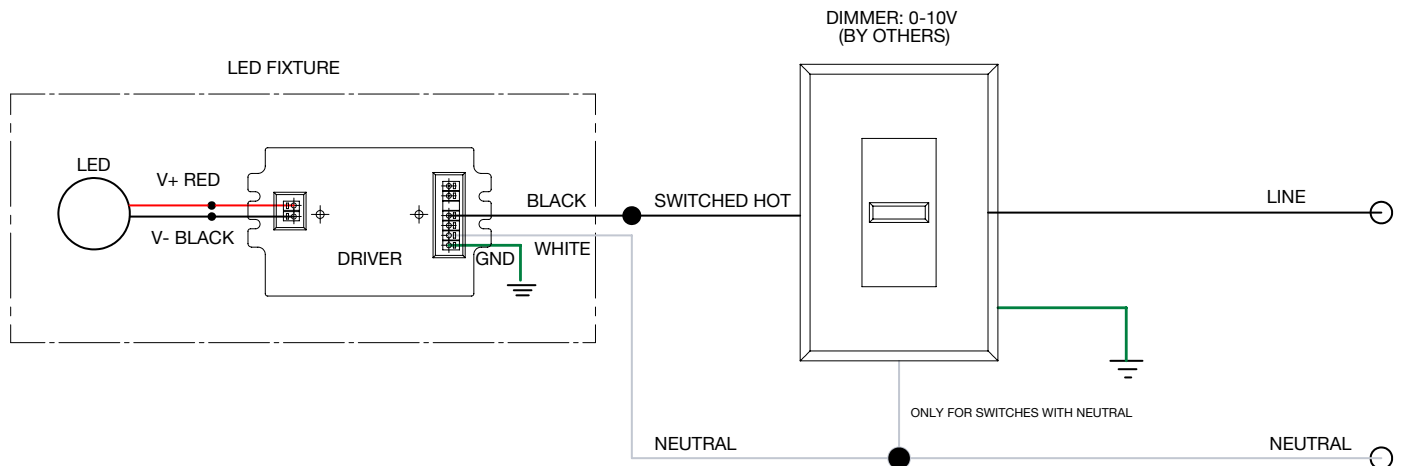
DIMMING DRIVER COMPATIBILITY

Dimmer List			
"L1" Lutron Hi-lume 2-Wire			
Manufacturer	Product	Maximum	Minimum
Leviton	IPE04	100%	1%
	IPI06-1LZ	100%	1%
	6633-P	100%	1%
Lutron	DVELV300P	100%	1%
	DVCL-153P	100%	1%
	S600P	100%	1%
Cooper	DAL06P	100%	1%
	DLC03P	100%	1%
	SLC03P	100%	1%

NOTES:

Wiring diagrams are examples of typical installations intended to illustrate the number of wires that must be run to fixture. These diagrams are not intended to specify all equipment necessary for a given dimming circuit. Refer to specific dimmer manufacturer's documentation for details.

L1- LUTRON DRIVER 2-WIRE DIMMING



IMPORTANT SAFETY INSTRUCTIONS
- SAVE THESE INSTRUCTIONS

1. Keep these instructions in a safe place for future reference.
2. Only qualified electricians in accordance to local codes should install these fixtures.
3. De-energize the electrical circuit at the circuit breaker prior to installation process or servicing.
4. Make sure all connections are in accordance with the National Electrical Code and any local regulations.
5. Cap any wires not used separately (not together).

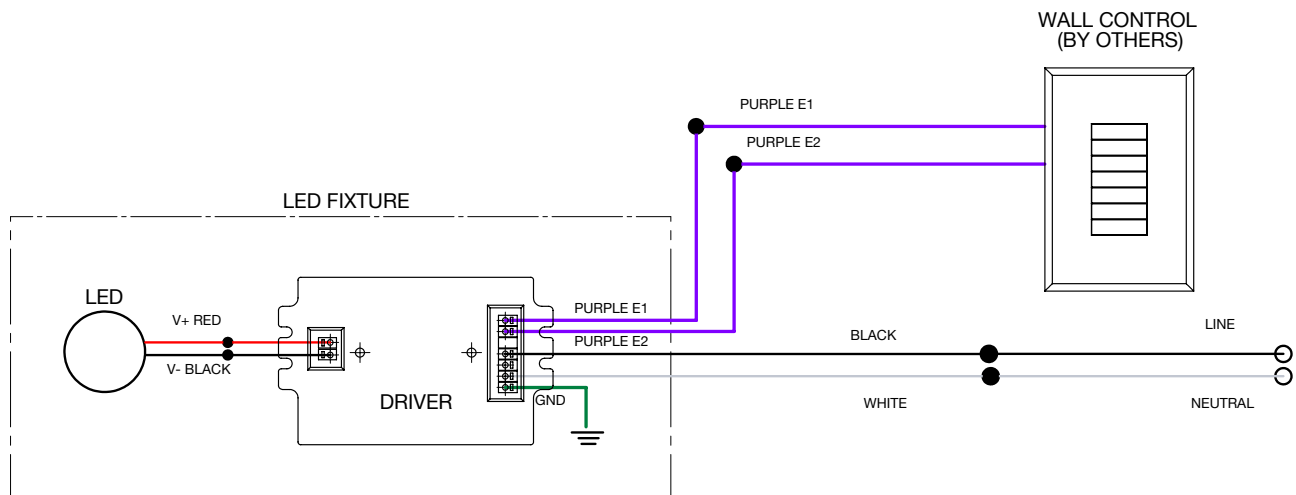
DIMMING DRIVER COMPATIBILITY

Dimmer List			
"L2" Lutron EcoSystem			
Manufacturer	Product	Maximum	Minimum
Lutron	CS-1L-WM	100%	1%
	CS-2L-WM	100%	1%
	CS-1L-CM	100%	1%
	CS-2L-CM	100%	1%
	EcoSystem ESN	100%	1%
	Grafik Eye QS with Eco-System	100%	1%
	Quantum	100%	1%

NOTES:

Wiring diagrams are examples of typical installations intended to illustrate the number of wires that must be run to fixture. These diagrams are not intended to specify all equipment necessary for a given dimming circuit. Refer to specific dimmer manufacturer's documentation for details.

L2- LUTRON DRIVER EcoSystem DIMMING



IMPORTANT SAFETY INSTRUCTIONS
- SAVE THESE INSTRUCTIONS

1. Keep these instructions in a safe place for future reference.
2. Only qualified electricians in accordance to local codes should install these fixtures.
3. De-energize the electrical circuit at the circuit breaker prior to installation process or servicing.
4. Make sure all connections are in accordance with the National Electrical Code and any local regulations.
5. Cap any wires not used separately (not together).

SPEC-00250 Revised 12/10/2019

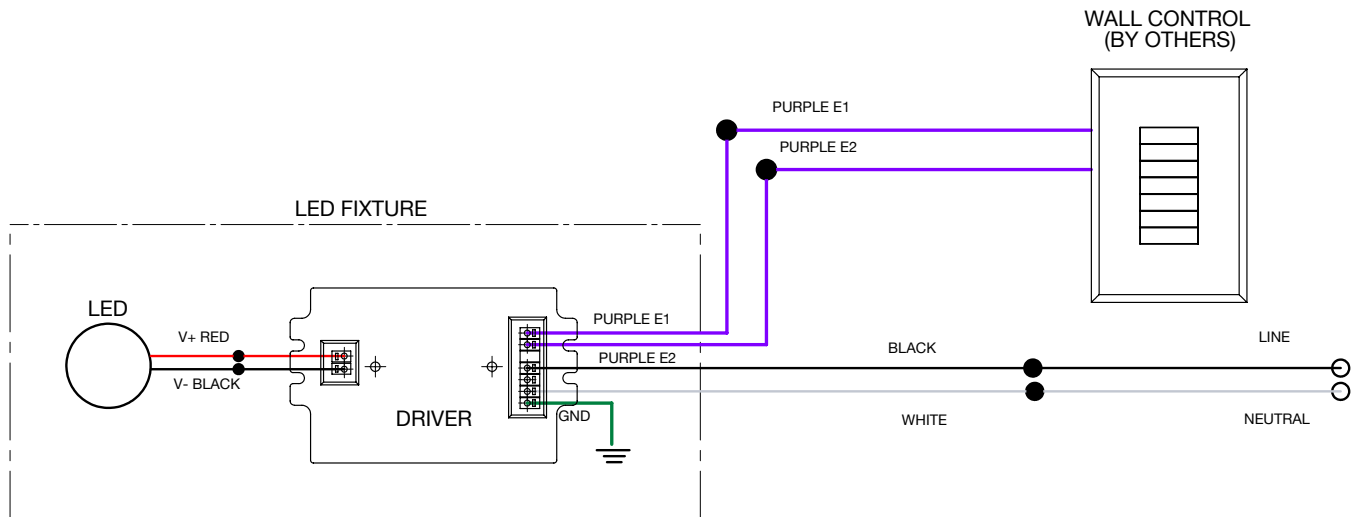
DIMMING DRIVER COMPATIBILITY

Dimmer List			
"L3" Lutron Fade-to-Black			
Manufacturer	Product	Maximum	Minimum
Lutron	LQSE-2ECO-D	100%	1%
	RMJ-ECO32-DV-B	100%	1%
	FCJ/FCJS-ECO	100%	1%
	QSN-1ECO-S	100%	1%
	QSN-2ECO-S	100%	1%
	EcoSystem ESN	100%	1%
	Grafik Eye QS with EcoSystem	100%	1%
	Quantum	100%	1%

NOTES:

Wiring diagrams are examples of typical installations intended to illustrate the number of wires that must be run to fixture. These diagrams are not intended to specify all equipment necessary for a given dimming circuit. Refer to specific dimmer manufacturer's documentation for details.

L3- LUTRON FADE-TO-BLACK DRIVER EcoSystem DIMMING



IMPORTANT SAFETY INSTRUCTIONS
- SAVE THESE INSTRUCTIONS

1. Keep these instructions in a safe place for future reference.
2. Only qualified electricians in accordance to local codes should install these fixtures.
3. De-energize the electrical circuit at the circuit breaker prior to installation process or servicing.
4. Make sure all connections are in accordance with the National Electrical Code and any local regulations.
5. Cap any wires not used separately (not together).

SPEC-00250 Revised 12/10/2019

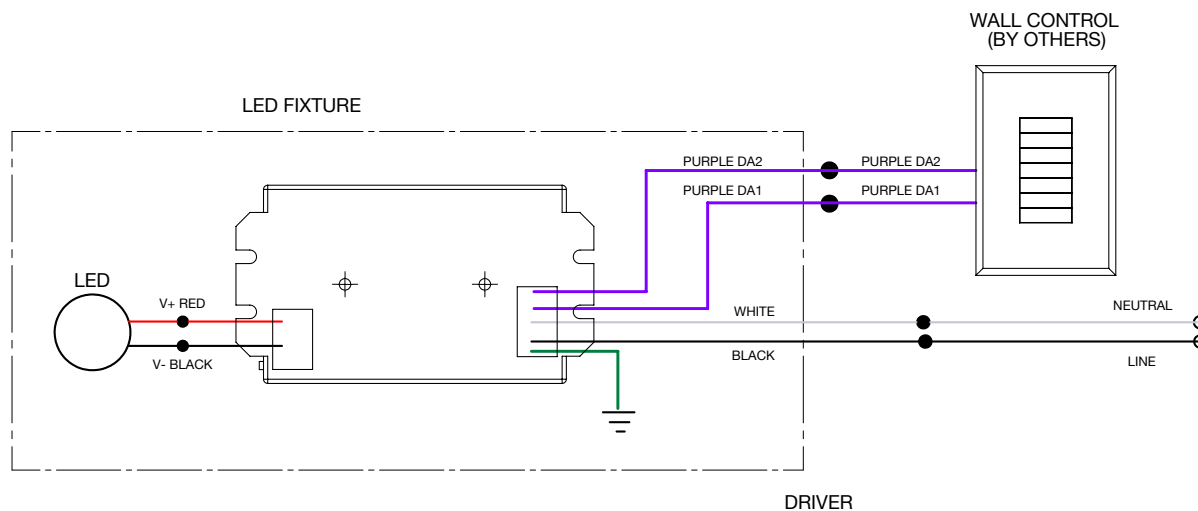
DIMMING DRIVER COMPATIBILITY

Dimmer List			
"EL1" eldoLED DALI 1%			
Manufacturer	Product	Maximum	Minimum
	DALI Controls	100%	1%

NOTES:

Wiring diagrams are examples of typical installations intended to illustrate the number of wires that must be run to fixture. These diagrams are not intended to specify all equipment necessary for a given dimming circuit. Refer to specific dimmer manufacturer's documentation for details.

EL1- eldoLED DRIVER DALI DIMMING



IMPORTANT SAFETY INSTRUCTIONS
- SAVE THESE INSTRUCTIONS

1. Keep these instructions in a safe place for future reference.
2. Only qualified electricians in accordance to local codes should install these fixtures.
3. De-energize the electrical circuit at the circuit breaker prior to installation process or servicing.
4. Make sure all connections are in accordance with the National Electrical Code and any local regulations.
5. Cap any wires not used separately (not together).

SPEC-00250 Revised 12/10/2019

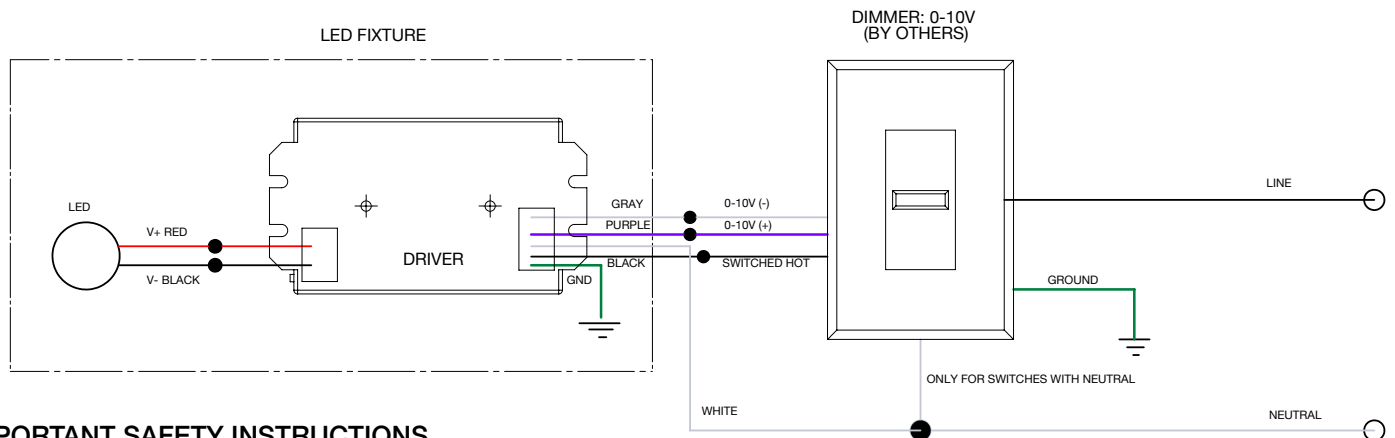
DIMMING DRIVER COMPATIBILITY

Dimmer List			
"EL2" eldoLED 0-10V 1%			
Manufacturer Product	Maximum	Minimum	
Leviton	IP740-DLX	100%	1%
Lightolier	ZP600FAM120	100%	1%
Lutron	DVTV	100%	1%
	NTFTV	100%	1%
	NFTV	100%	1%
Crestron	CLS-EXP-DIMFLV	100%	1%
	DIN-4DIMFLV4	100%	1%
	DIN-A08	100%	1%
	GLX-DIMFLV8	100%	1%

NOTES:

Wiring diagrams are examples of typical installations intended to illustrate the number of wires that must be run to fixture. These diagrams are not intended to specify all equipment necessary for a given dimming circuit. Refer to specific dimmer manufacturer's documentation for details.

EL2- eldoLED DRIVER 0-10V DIMMING



**IMPORTANT SAFETY INSTRUCTIONS
- SAVE THESE INSTRUCTIONS**

1. Keep these instructions in a safe place for future reference.
2. Only qualified electricians in accordance to local codes should install these fixtures.
3. De-energize the electrical circuit at the circuit breaker prior to installation process or servicing.
4. Make sure all connections are in accordance with the National Electrical Code and any local regulations.
5. Cap any wires not used separately (not together).

SPEC-00250 Revised 12/10/2019

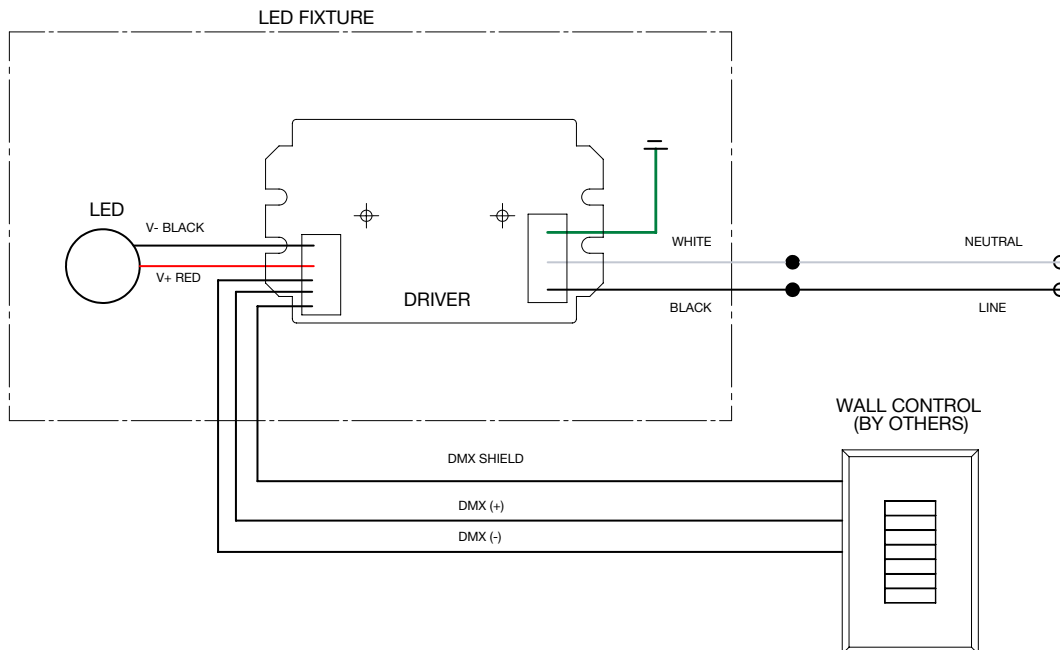
DIMMING DRIVER COMPATIBILITY

Dimmer List			
"DMX" Moons			
Manufacturer	Product	Maximum	Minimum
	DMX Controls	100%	1%

NOTES:

Wiring diagrams are examples of typical installations intended to illustrate the number of wires that must be run to fixture. These diagrams are not intended to specify all equipment necessary for a given dimming circuit. Refer to specific dimmer manufacturer's documentation for details.

DMX- MOONS DRIVER DMX DIMMING



IMPORTANT SAFETY INSTRUCTIONS
- SAVE THESE INSTRUCTIONS

1. Keep these instructions in a safe place for future reference.
2. Only qualified electricians in accordance to local codes should install these fixtures.
3. De-energize the electrical circuit at the circuit breaker prior to installation process or servicing.
4. Make sure all connections are in accordance with the National Electrical Code and any local regulations.
5. Cap any wires not used separately (not together).

SPEC-00250 Revised 12/10/2019