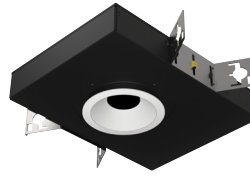


# 3" Acrobat Shallow Adjustable Downlight

## IC/CP Shallow New Construction Housing

Round or Square / Trimmed or Trimless



Wattage	CCT	Delivered Lumens	Efficacy
10W	3000K	654 lm	66 lpw
15W	3000K	939 lm	61 lpw
20W	3000K	1149 lm	54 lpw

Lumens will vary depending on CCT, optic & lens option

### Description

- Acrobat adjustable IC/CP shallow plenum downlight delivers 1149lm through a 3" aperture with three optical distributions. Delivered lumens are maintained in all ceiling thicknesses.
- Incorporates our patented GyroShift™ light engine allowing up to 45° aiming and ∞ rotation.

### Field Replaceable LED Light Engine

- 10W, 15W, or 20W LED
- Field replaceable optics available in spot, narrow, or flood
- 50,000 hours at 70% lumen maintenance (L70)

### Field Replaceable Dimming Driver

- Power factor > 0.9, 50/60Hz
- Multiple dimming drivers available
- Complies with IEEE62.41 surge protection

### Housing

18 gauge steel housing and junction box with 6x 1/2" trade size knockouts. Includes universal butterfly brackets to accommodate T-Grid or wood construction members.

### Ceiling Thickness

- Accommodates ceiling thicknesses up to 5/8" with standard collar
- Extended collar option accommodates ceiling thickness up to 2"
- Delivered lumens are maintained through entire ceiling thickness range
- Above ceiling access required for access to branch circuit

### Trim Style

- Round trims available in 5 different standard finishes including specular finishes.
- Square trims available in 4 different powder coat finishes

### Accessories

Accommodates up to (2) media accessories.

### Emergency

Optional remote battery backup system

### Listing/Warranty

- Patented design
- Five (5) year limited warranty
- UL listed to US and Canadian standards for damp locations E335061
- Certified airtight per ASTM E283
- Meets CEC Title 24 JA8 High Efficacy LED requirements
- CCEA approved – Chicago rated
- Silicone caulking required around trim to meet title-24 airtight requirements
- Product can be used to comply with CEC title 24 P6 high efficacy LED light source requirements



JA8 TITLE 24 COMPLIANT

### Housing Order Matrix (Example: A3-SPADJ15S2730-R00-LCB-24)

Type	Wattage	Driver	CCT / CRI	Optic	Aperture	Trim Shape	Rev	Ceiling Thickness	Hanger Bar
A3-SPADJ	10 (10W)	S <sup>1</sup> (ERP, Universal Dim, Triac/ELV/0-10V 1-100%, 120-277V)	27 (2700K / 90 CRI)	10 (Spot)	-R (Round)	(blank) (Flanged)	00	(blank) (Standard 5/8")	(blank) (Standard)
	15 <sup>2</sup> (15W)	L1 <sup>2,4</sup> (Lutron Hi-lume® 2-Wire 1% 120V)	30 (3000K / 90 CRI)	30 (Narrow)	-S (Square)	TL (Trimless)		-2 (Up to 2")	-LCB-24 (24" C-Channel)
	20 <sup>4</sup> (20W)	L2 <sup>2,4</sup> (Lutron EcoSystem® 5% 120-277V)	35 (3500K / 90 CRI)	50 (Flood)		WC (Wood Ceiling)			-LCB-48 (48" C-Channel)
		L3 <sup>2,4</sup> (Lutron Hi-lume® Fade-to-Black 1% 120-277V)	40 (4000K / 90 CRI)						
		EL1 <sup>2,4</sup> (eldoLED DALI 1% 120-277V)							
	EL2 <sup>2,4</sup> (eldoLED 0-10V 1% 120-277V)								
	DMX <sup>2,4</sup> (DMX 1% 120-277V)								
	LR1 <sup>4</sup> (Remote Lutron Hi-lume® 2-Wire 1% 120V)								
	SR1 <sup>1,4</sup> (Remote ERP, Universal Dim, Triac/ELV/0-10V 10% 120-277V)								

- Forward and reverse phase dimming at 120V only
- Above ceiling access required
- Accessible from below ceiling
- Not covered under Energy Star
- Only 30° optic covered by Energy Star for 15W configuration

### Trim Order Matrix (Example: A3-1RWH-WH-00)

Trim	Aperture	Reflector Finish	Flange Finish	Rev
A3-1	R (Round) S (Square)	WH (White)	(blank) (Trimless / Wood Ceiling)	-00
		CA <sup>6</sup> (Clear Alzak)	-WH (White)	
		BL (Black)	-BL (Black)	
		SA (Satin Aluminum)	-SA (Satin Aluminum)	
		BZ (Bronze)	-BZ (Bronze)	

6. Available in round aperture only

### Trim Order Matrix (Example: A3-2RWH-WH-00)

Trim	Aperture	Baffle Finish	Flange Finish	Rev
A3-2	R (Round) S (Square)	WH (White)	(blank) (Trimless / Wood Ceiling)	-00
		BL (Black)	-WH (White)	
		SA (Satin Aluminum)	-BL (Black)	
		BZ (Bronze)	-SA (Satin Aluminum)	
			-BZ (Bronze)	

### Accessories (Note: Not energy star compliant when installed)

S2-HEX	(Hex Louver)
S2-FR	(Frosted Lens)
S2-MP	(Solite Lens)
S2-CL	(Clear Lens)
S2-LS	(Linear Spread Lens)
S2-WW	(Wall Wash)

\*Only 1 media option with Hex Louver

### Optics

S2-10-OPTIC	(10° Spot)
S2-30-OPTIC	(30° Narrow)
S2-50-OPTIC	(50° Flood)

### Emergency

EM-1000	(25W LED Remote Inverter)
EM-1002	(10W LED Remote Emergency Driver)
EM-1003	(35W LED Remote Inverter)
EM-1004	(50W LED Remote Inverter)

**3" Acrobat Shallow Adjustable Downlight**  
**IC/CP Shallow New Construction Housing**  
 Round or Square / Trimmed or Trimless

Catalog #:

Project:

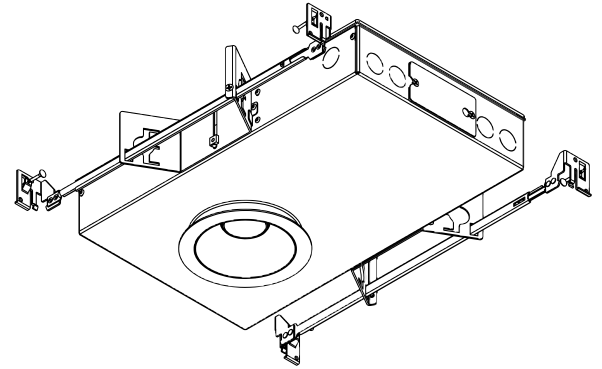
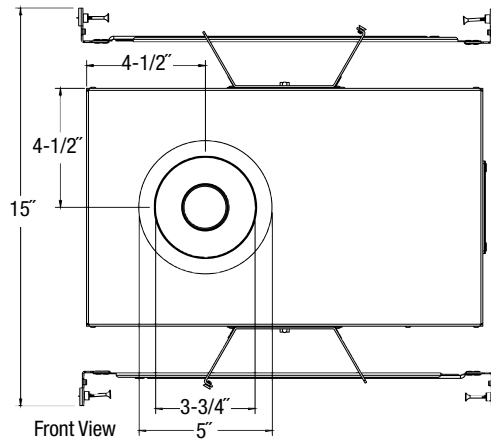
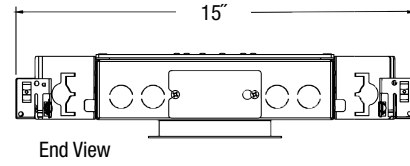
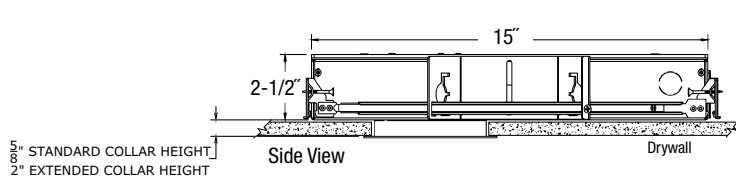
Notes:

Type:

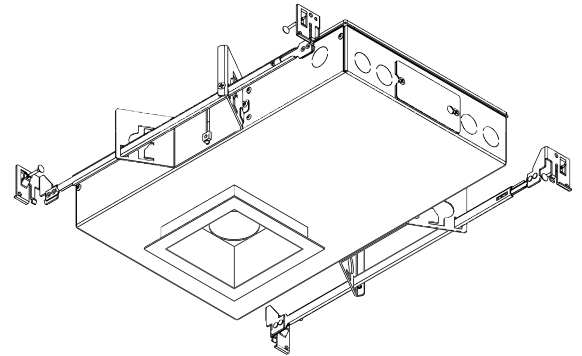
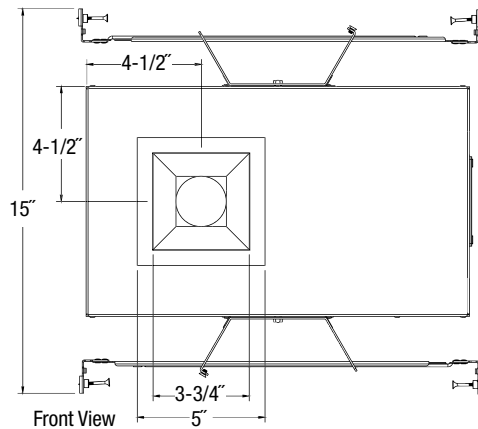
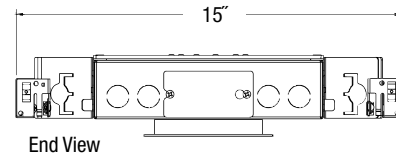
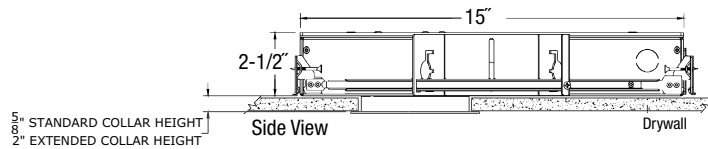
Date:

**Housing Dimensions**

**A3-1 ROUND**



**A3-1 SQUARE**



Spec-00158 Revised 04/13/2021

**3" Acrobat Shallow Adjustable Downlight**  
**IC/CP Shallow New Construction Housing**  
 Round or Square / Trimmed or Trimless

Catalog #:

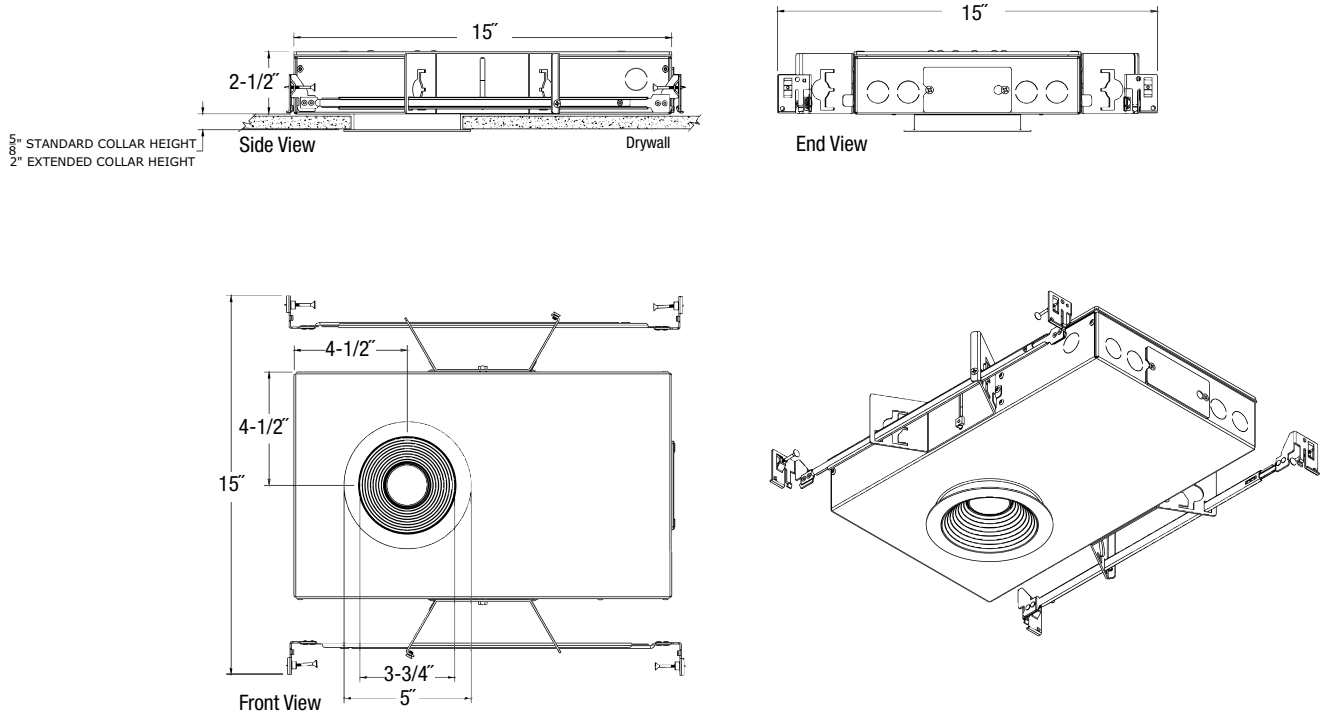
Project:

Notes:

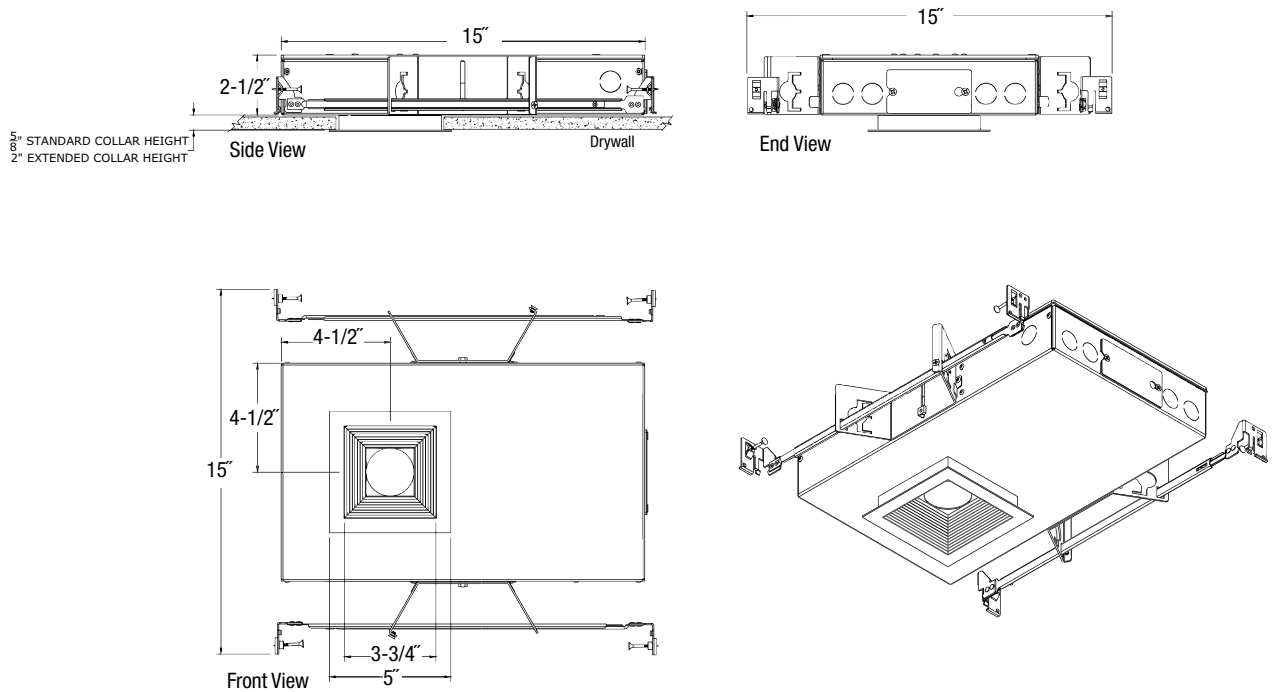
Type:

Date:

**A3-2 ROUND**



**A3-2 SQUARE**



Spec-00158 Revised 04/13/2021

**3" Acrobat Shallow Adjustable Downlight**  
**IC/CP Shallow New Construction Housing**  
 Round or Square / Trimmed or Trimless

Catalog #:

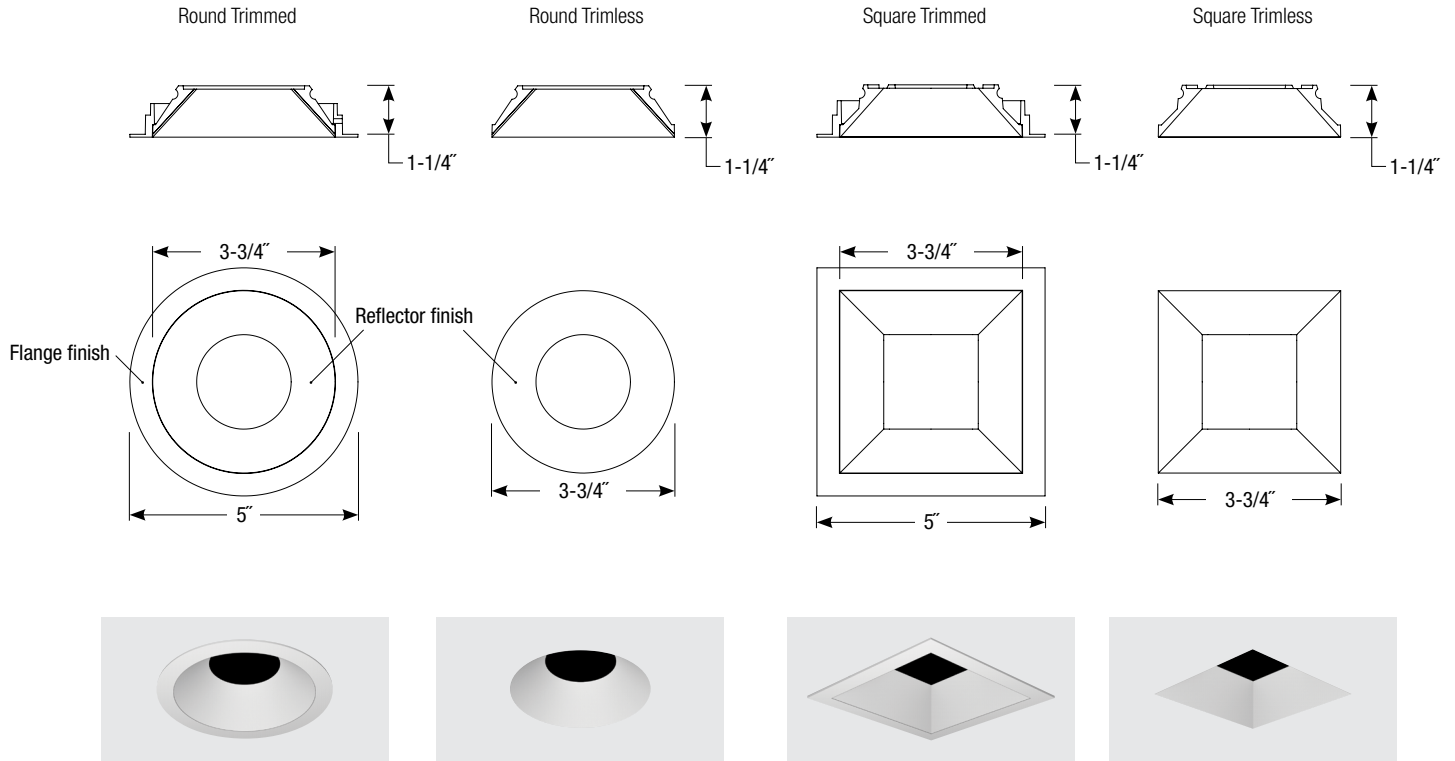
Project:

Notes:

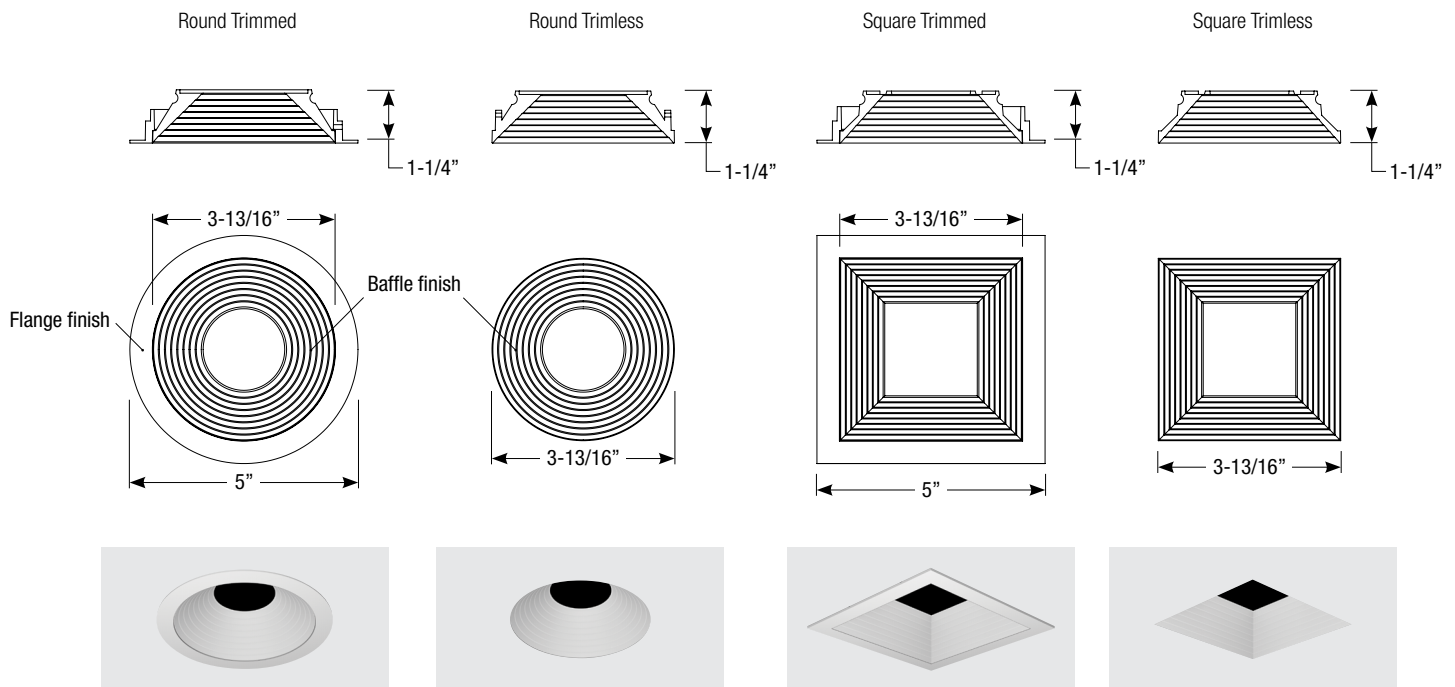
Type:

Date:

**Trim Dimensions - A3-1**



**Trim Dimensions - A3-2 Baffle**



Spec-00158 Revised 04/13/2021

**3" Acrobat Shallow Adjustable Downlight**  
**IC/CP Shallow New Construction Housing**  
Round or Square / Trimmed or Trimless

Catalog #:

Project:

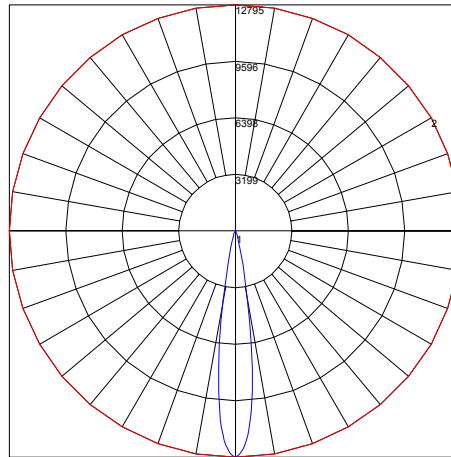
Notes:

Type:

Date:

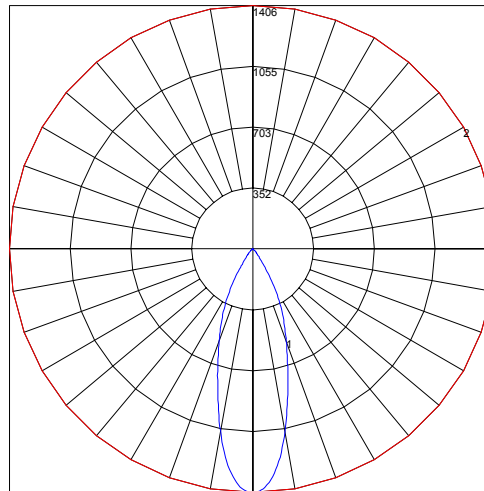
**Photometry**

**3" Acrobat Shallow Adjustable Downlight / Optic 10°**



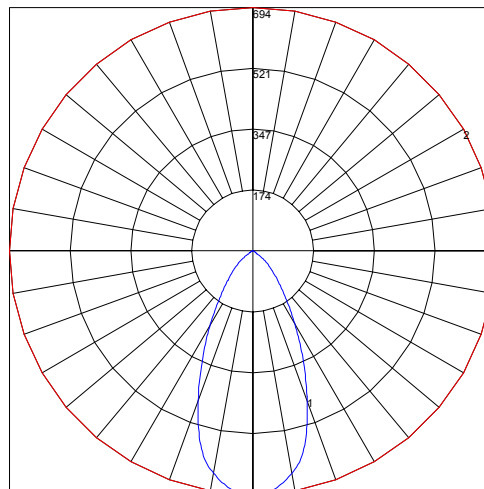
Maximum Candela = 12795 Located At Horizontal Angle = 0, Vertical Angle = 0  
# 1 - Vertical Plane Through Horizontal Angles (0 - 180) (Through Max. Cd.)  
# 2 - Horizontal Cone Through Vertical Angle (0) (Through Max. Cd.)

**3" Acrobat Shallow Adjustable Downlight / Optic 30°**



Maximum Candela = 1406.316 Located At Horizontal Angle = 0, Vertical Angle = 0  
# 1 - Vertical Plane Through Horizontal Angles (0 - 180) (Through Max. Cd.)  
# 2 - Horizontal Cone Through Vertical Angle (0) (Through Max. Cd.)

**3" Acrobat Shallow Adjustable Downlight / Optic 50°**



Maximum Candela = 694.422 Located At Horizontal Angle = 0, Vertical Angle = 0  
# 1 - Vertical Plane Through Horizontal Angles (0 - 180) (Through Max. Cd.)  
# 2 - Horizontal Cone Through Vertical Angle (0) (Through Max. Cd.)

Spec-00158 Revised 04/13/2021

**3" Acrobat Shallow Adjustable Downlight**  
**IC/CP Shallow New Construction Housing**  
 Round or Square / Trimmed or Trimless

Catalog #:

Project:

Notes:

Type:

Date:

**Lumen Charts**

2700K Wattage	Lumens			Efficacy			Rated W
	10°	30°	50°	10°	30°	50°	
10	555	610	571	56	62	58	10
15	778	876	856	51	57	56	15
20	975	1072	1004	46	51	47	21

3000K Wattage	Lumens			Efficacy			Rated W
	10°	30°	50°	10°	30°	50°	
10	594	654	612	60	66	62	10
15	834	938	917	54	61	60	15
20	1044	1149	1076	49	54	51	21

3500K Wattage	Lumens			Efficacy			Rated W
	10°	30°	50°	10°	30°	50°	
10	641	705	660	65	71	67	10
15	899	1011	989	58	66	64	15
20	1125	1238	1159	53	59	55	21

Spec-00158 Revised 04/13/2021



**3" Acrobat Shallow Adjustable Downlight**  
**IC/CP Shallow New Construction Housing**  
 Round or Square / Trimmed or Trimless

Catalog #:

Type:

Project:

Date:

Notes:

**COMPATIBLE DIMMER CHARTS**

**COMPATIBLE PHASE CUT DIMMERS AND DIMMING RANGE**

Manufacturer	Model	Maximum	Minimum	Manufacturer	Model	Maximum	Minimum
Cooper	DAL06P	100%	0%	Lutron	CT103P	99%	6%
	DLC03P	100%	0%		DV600P	99%	3%
	SLC03P	100%	0%		DVCL-153P	99%	0%
Leviton	6161	99%	10%		DVEL303P	97%	3%
	6631-2	100%	0%		FAELV500	99%	7%
	6633-P	100%	0%		LG600P	99%	5%
	6673-10W	99%	6%		MAELV600	99%	7%
	6683-1W	100%	2%		S600P	99%	1%
	IPE04	100%	3%		S-603PG	86%	4%
	IPI06-1LZ	100%	0%		SELV300P	97%	3%
	VPE06	100%	5%		TG-600P	99%	13%
Lightolier	ZP26QEW	99%	3%		TGCL-153P	99%	2%

**COMPATIBLE 1-10V DIMMERS AND DIMMING RANGE**

Manufacturer	Model	Maximum	Minimum
Leviton	IP740-DLZ	100%	10%
Lightolier	ZP600FAM120	100%	10%
	V2000FAMU	100%	10%
Lutron	DVTV	100%	10%
	NTFTV	100%	10%
Crestron	CLS-EXP-DIMFLV	100%	10%
	DIN-4DIMFLV4	100%	10%
	DIN-A08	100%	10%
	GLX-DIMFLV8	100%	10%