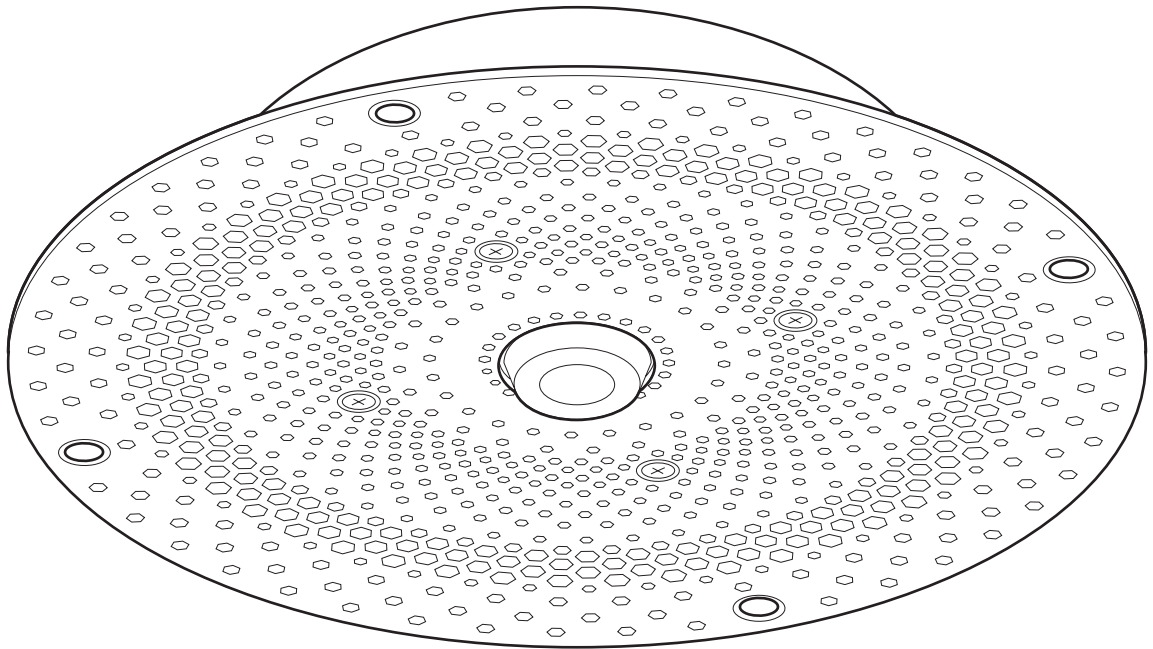




1/2" TRIMLESS LED DOWNLIGHT INSTALLATION GUIDE



Scan code to view
installation video



WARNING: RISK OF ELECTRIC SHOCK

- Before installation or servicing **DISCONNECT POWER BY TURNING OFF THE CIRCUIT breakers** both to the outlet box and to its associated wall switch.
- Installation and service of luminaires should be performed by a qualified licensed electrician in accordance with all local and National Electrical Codes.
- **DO NOT** install damaged product.
- Verify that supply voltage is correct by comparing it with the luminaire label information.
- All wiring connections should be capped with UL approved recognized wire connectors.



WARNING: RISK OF FIRE

- **DO NOT** separate any other wires that may be in the box.
- **DO NOT** damage the insulation of older wiring.
- In regular circumstances the **BLACK** wire will be the “Hot” lead and the **WHITE** wire will be the “Neutral” or “Common” lead. A **GREEN** or **BARE COPPER** wire is “Ground”.
- In older buildings, it is always good practice to reconfirm the polarity of the wiring.



WARNING: RISK OF PRODUCT DAMAGE

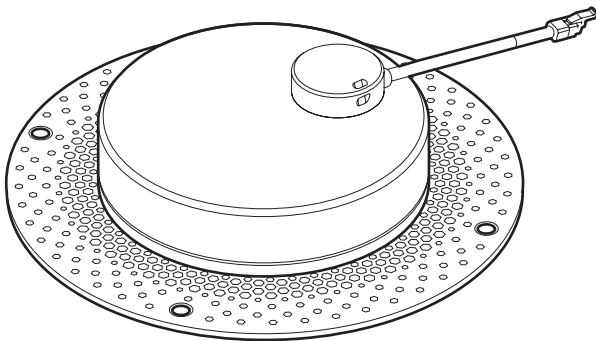
- Never connect components under load.
- Do not touch the yellow surface of the LED as it may damage the light engine.



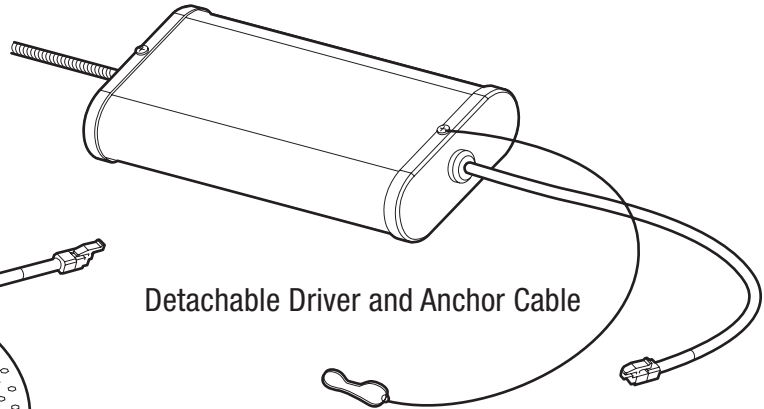
WARNINGS: RISK OF INJURY

- Allow luminaire to cool before servicing. Follow all manufacturer’s warning and restrictions for driver type, mounting locations, replacement and recycling.
- Wear safety glasses and gloves when installing, maintaining or servicing.
- Avoid direct eye exposure to the light source while it is on.

INCLUDED



Whisper Downlight with Mud Plate



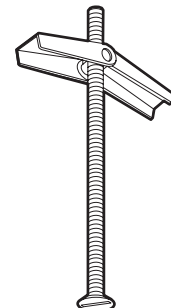
Detachable Driver and Anchor Cable



Optic Lens



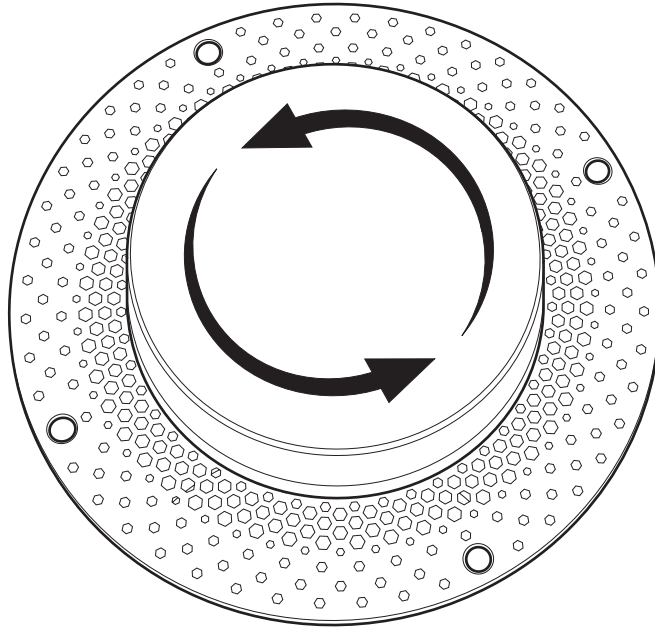
Masking Plug



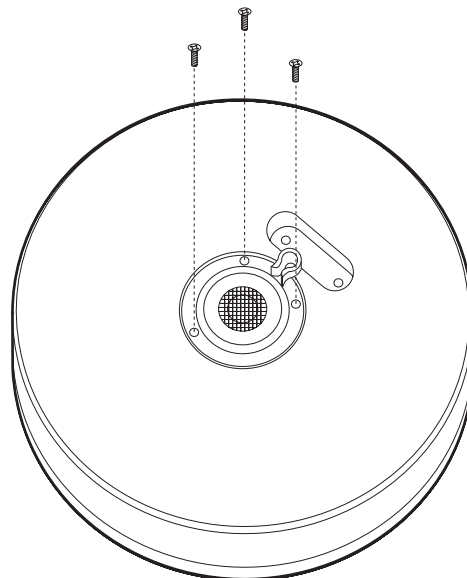
Toggle Bolts (4)

CHANGING OPTIC LENS (Before or After Installation)

1. Rotate back of fixture counter-clockwise until it comes off.

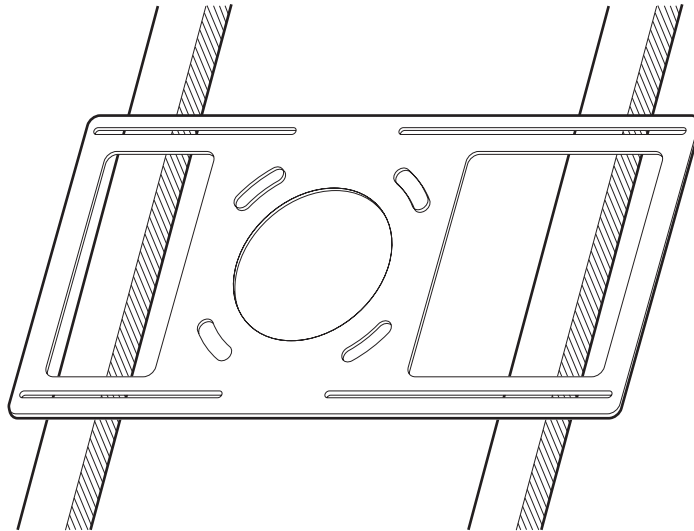


2. Remove these 3 screws and optic lens. Replace lens and screws then re-attach fixture.

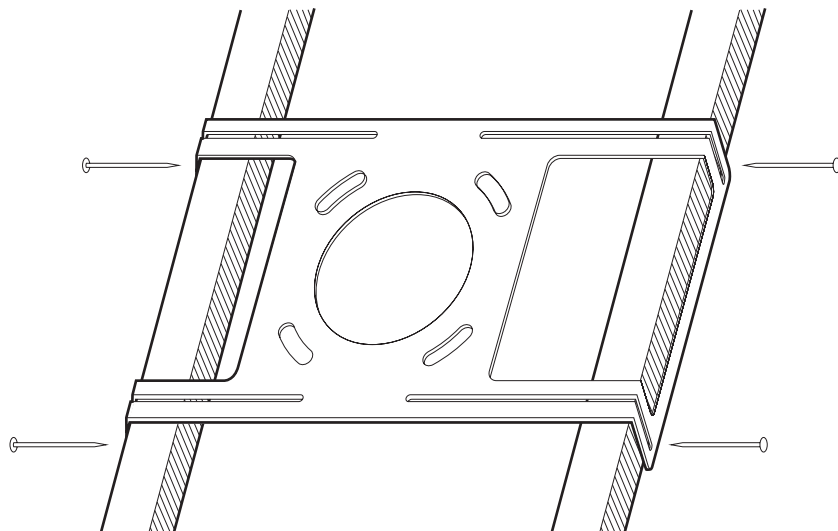


INSTALLATION USING ROUGH-IN PLATE (Not Included, Sold Separately)

1. Lay rough-in plate horizontally across 2 beams, keeping hole in the center.

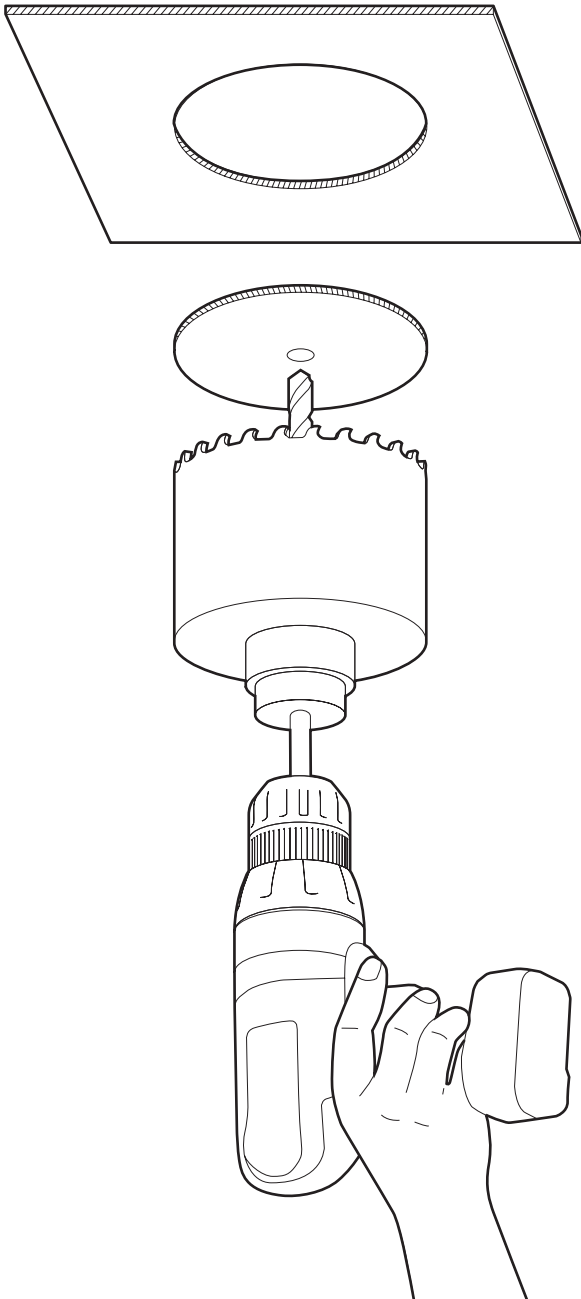


2. Fold edges around the beam and attach with nails through sides. Then, proceed with the fixture installation **Step-1**.



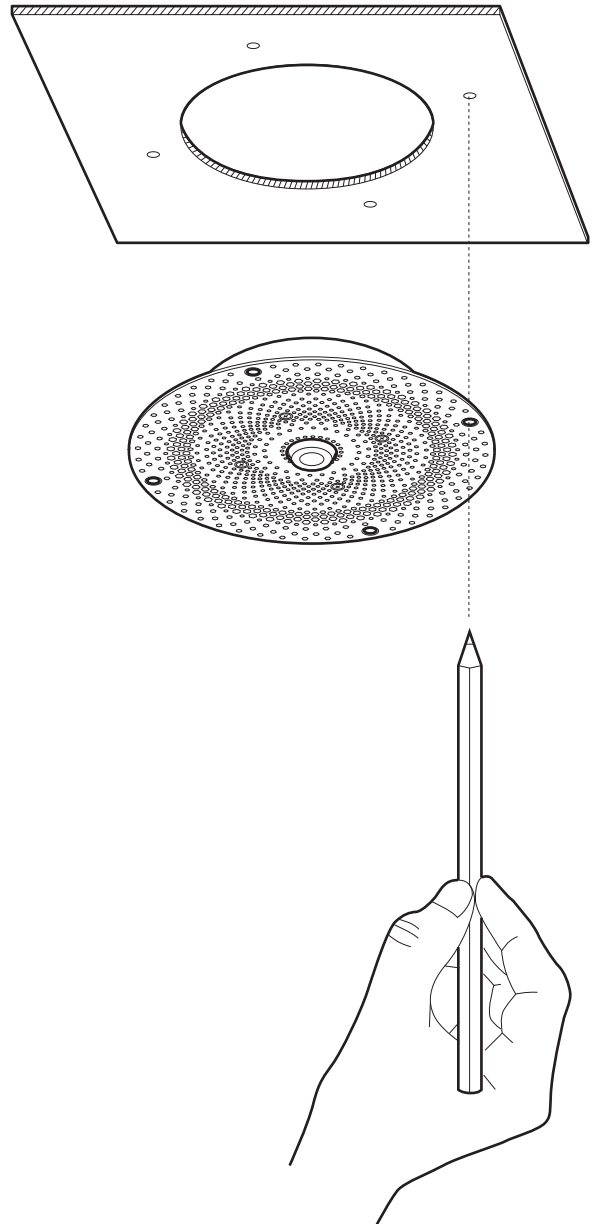
STEP-1

Use hole saw or speed router with rough in plate to cut 5½" hole.



STEP-2

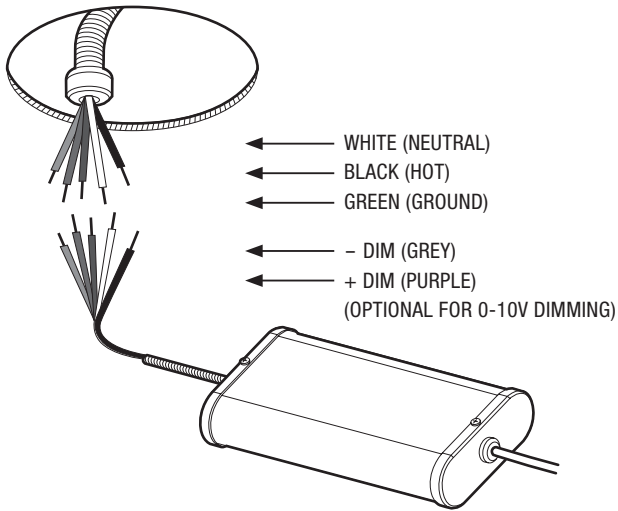
Using the mud plate for reference, mark hole positions in ceiling for toggle bolts (4). Using a ½" drill bit drill through the ceiling on the pre-marked hole centers.



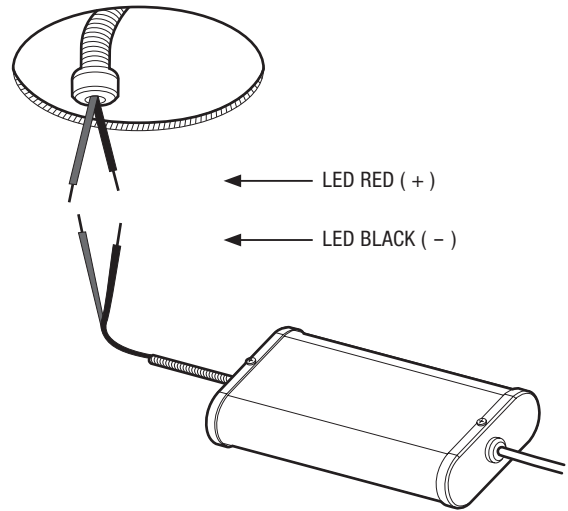
STEP-3

Connect supply wires to power supply unit as indicated in wiring diagram.

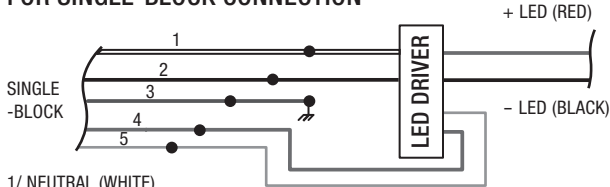
INTEGRAL POWER SUPPLY



REMOTE POWER SUPPLY

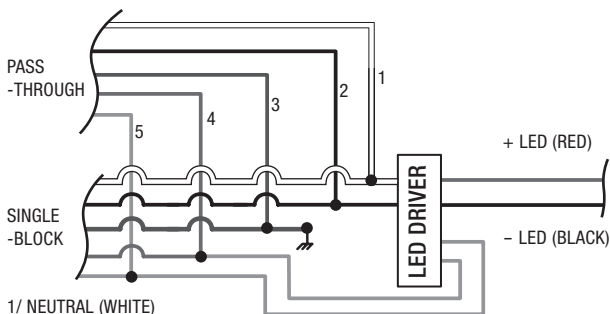


FOR SINGLE-BLOCK CONNECTION

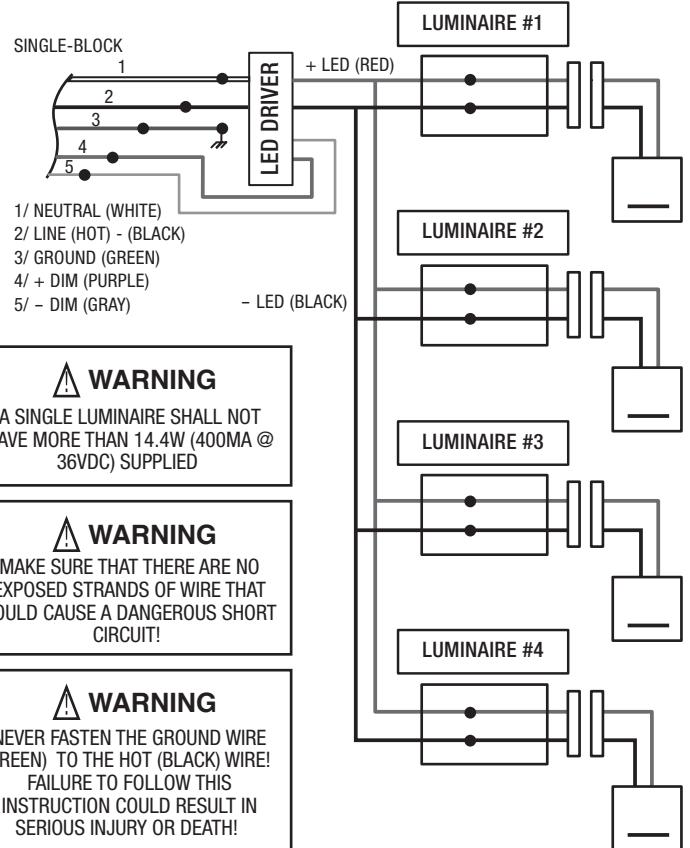


- 1/ NEUTRAL (WHITE)
- 2/ LINE (HOT) - (BLACK)
- 3/ GROUND (GREEN)
- 4/ + DIM (PURPLE)
- 5/ - DIM (GRAY)

FOR PASS-THROUGH CONNECTION

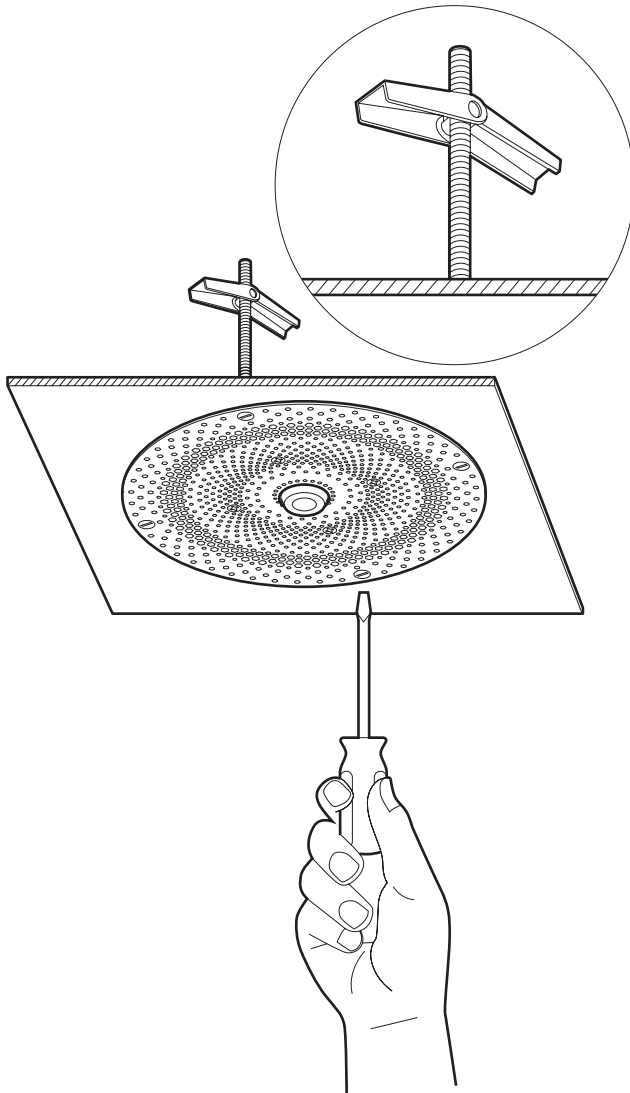


- 1/ NEUTRAL (WHITE)
- 2/ LINE (HOT) - (BLACK)
- 3/ GROUND (GREEN)
- 4/ + DIM (PURPLE)
- 5/ - DIM (GRAY)



STEP-4

Attach fixture and mud plate to ceiling using 4 toggle bolts. Make sure there is adequate room for bolts to function with ceiling thickness.

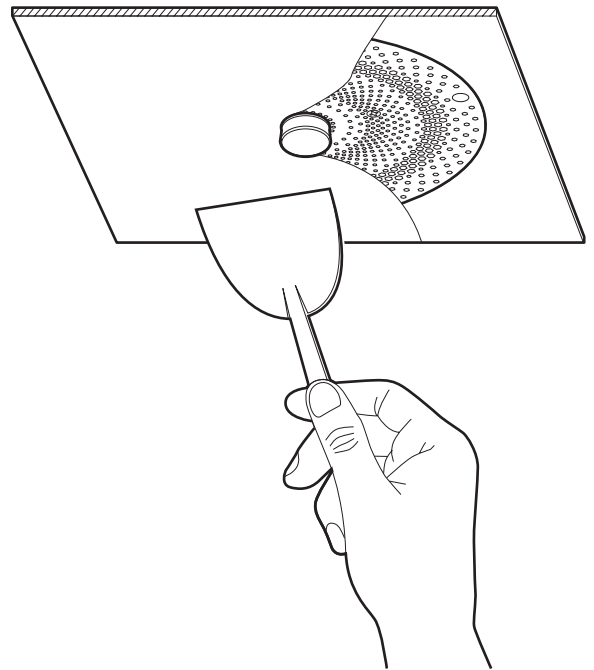


IMPORTANT

Before continuing, turn on the power and test the lights to verify proper wiring and functionality. Then, disconnect the power and continue to **STEP-5**.

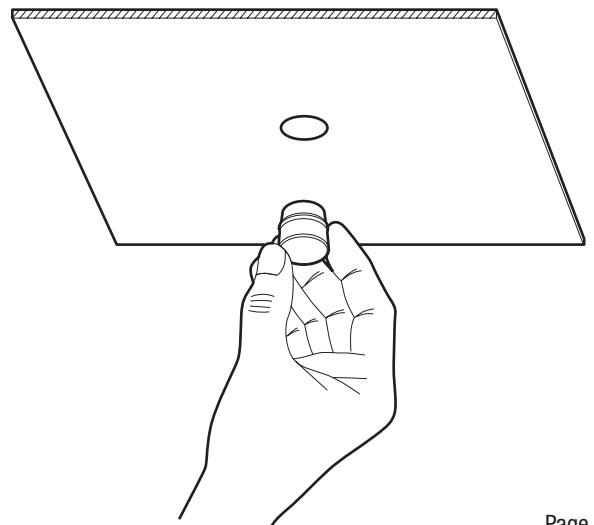
STEP-5

Use drywall mud and putty knife to cover mud plate. Finish and paint ceiling to desired color.



STEP-6

Remove protective cap from lens.



Subject to change without notice.
For warranty information or other inquiries,
please visit www.csllighting.com
or Call (626) 336-4511



CREATIVE SYSTEMS LIGHTING

A Division of Troy-CSL Lighting, INC.

14508 Nelson Ave. City of Industry, CA 91744 • Tel: 626.336.4511 • Fax: 626.330.4266

Copyright © 2020 All rights reserved.