

**IMPORTANT SAFETY INSTRUCTIONS****INSTRUCTIONS PERTAINING TO A RISK OF FIRE, ELECTRIC SHOCK OR INJURY TO PERSONS  
GENERAL**

1. To insure the success of the fixture installation, the following instructions and diagram(s) should be read and understood. All electrical connections must be made in accordance with the National Electric Code and local codes and ordinances.  
**Only a qualified licensed electrician should install this fixture.**
2. **TOOLS NEEDED:** Medium phillips screwdriver, 3/32" allen wrench and wire cutter/stripper
3. **WARNING** – To reduce the risk of FIRE, ELECTRIC SHOCK, OR INJURY TO PERSONS:  
**-Do not look directly at LED when lit.**  
**-Do not touch LED's at any time.**

**SAVE THESE INSTRUCTIONS!****INSTALLATION:**

1. **TURN OFF THE ENTIRE ELECTRICAL CIRCUIT TO WHICH THE LIGHTING FIXTURE IS TO BE ATTACHED.**  
Move the circuit breaker to the "OFF" position or completely remove the fuse controlling the circuit.
2. This fixture is designed to be mounted over a correctly installed standard round or octagon box. The box must be securely mounted to the structure of the building.
3. Remove the contents from the carton. BEFORE DISCARDING THE CARTON, DOUBLE CHECK TO MAKE SURE THAT ALL PARTS ARE FOUND

**FIXTURE INSTALLATION:**

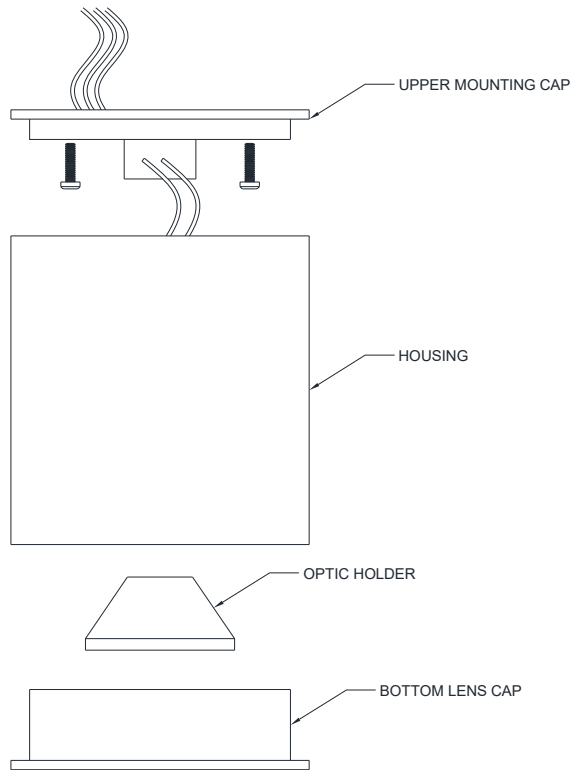
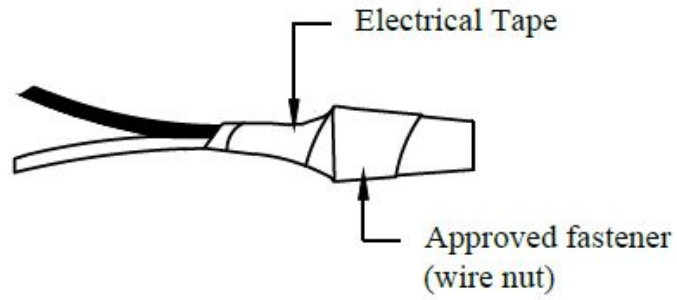
1. Unthread upper mounting cap and attach it to the junction box with the provided pan-head screws
2. Fasten ground wire to the green or bare copper wire in the outlet box or to the green screw on the mounting plate.  
**NEVER FASTEN THE GROUND WIRE TO THE BLACK OR "HOT" WIRE! FAILURE TO FOLLOW THESE INSTRUCTION COULD RESULT IN SERIOUS INJURY OR DEATH**
3. Fasten the white driver lead to the white wire in the outlet box using a wire nut. Tightly wrap the connection with electrical tape so that the tape seals the end and no exposed wire or strands are visible
4. Fasten the black driver lead to the black wire in the outlet box using a wire nut. Wrap connection as done in previous step
5. Reattach housing to upper mounting cap
6. Unthread bottom lens cap and snap desired optic into the preinstalled optic holder inside the housing
7. Restore power to circuit at the breaker or fuse box

**LED BOARD REPLACEMENT:**

1. Turn off breaker
2. Unthread bottom lens cap from Housing
3. Remove Optic
4. Remove 3 screws of LED holder and move to side
5. Replace LED
6. Reverse steps for install and restore power

**LED DRIVER REPLACEMENT:**

1. Turn off breaker
2. Unthread housing from upper mounting cap
3. Disconnect input leads from driver
4. Disconnect output leads from driver
5. Remove driver
6. Wire in new driver
7. Reattach housing to upper mounting cap
8. Restore power



## Driver Replacement

1. Remove housing from Upper Mounting Cap
2. Driver will be mounted on mounting cap by (2) screws.

