

- The Overachiever, recessed downlight system
- Silent Vu™ Optics Technology provides exceptional light performance with minimal glare

ECO FULL SERVICE RECESSED DOWNLIGHT SOLUTIONS

ED3LNIC – Up to 1093 Delivered Lumens, Phase Control Driver

SILENT VU™ OPTICS TECHNOLOGY

OPTICS	50° Installed
--------	---------------

LED LIGHT ENGINE

RATED WATTAGE	11.3W
DELIVERED LUMENS	Up to 1093 lm
EFFICACY	Up to 97 LPW
CCT @ 90CRI	2700K, 3000K
COLOR QUALITY	90+ CRI, 2-Step SDCM
LED LIFETIME	55,000 hours @ L90

DELIVERED LUMENS MATRIX

ED3L (11.3W)	50° Optic
2700K (90CRI)	1012 lm
3000K (90CRI)	1093 lm

POWER SUPPLY

INPUT VOLTAGE	120/277V, 50/60Hz
DIMMING	TRIAC, ELV, dims to 1%
SERVICABILITY	Below Ceiling Access

TRIM OPTIONS

- Standard
- Wet Location

TRIM COLOR

- White

HOUSING INSTALLATION

- New Construction includes (2) galvanized steel adjustable hanger bars
- 5/8" ~ 2" ceiling thickness
- Min Plenum Height: 3½"
- Ceiling Material: Drywall, T-bar grid
- Steel junction box with up to (2) ½" knockouts
- Air Tight

LISTINGS AND WARRANTY

cULus Listed

ASTM E283 Certified Airtight

UL Listed for Damp Location

UL Listed for Wet Location (Wet Location Trim Style)

IC Rated

CA Title 24-JA8 Compliant

Five (5) years limited warranty



ORDER MATRIX

ED3L

ECO 3" HOUSING + LIGHT ENGINE ORDER MATRIX (Example: ED3LNIC-279050-12S2)

HOUSING BASE		LED PERFORMANCE			DRIVER ASSEMBLY	
FAMILY APERTURE	INSTALLATION TYPE	CCT	CRI	OPTIC	WATTAGE	LED DIMMING DRIVER
ED3L ECO 3" LPD	NIC (New Construction IC)	-27 (2700K) -30 (3000K)	90 (90 CRI)	50 (50° Flood) Installed	-12 (11.3W)	S2 Phase Control Dimming Driver (1%-100% TRIAC, ELV, 120V/277V)

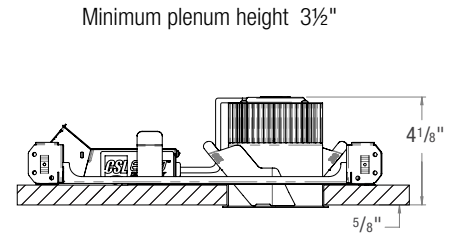
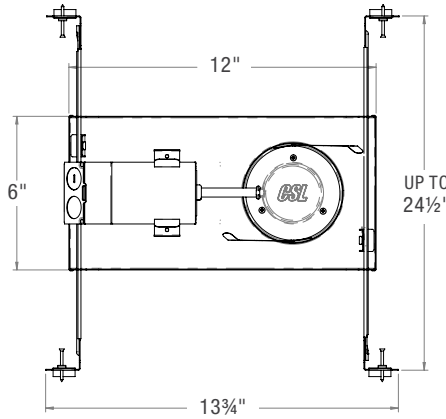
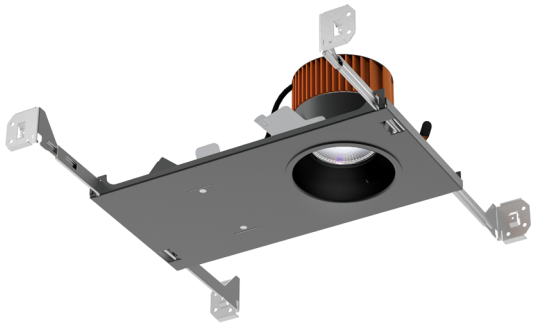
TRIM

ECO 3" DOWNLIGHT TRIM ORDER MATRIX (Example: ED3-RFSTWT)

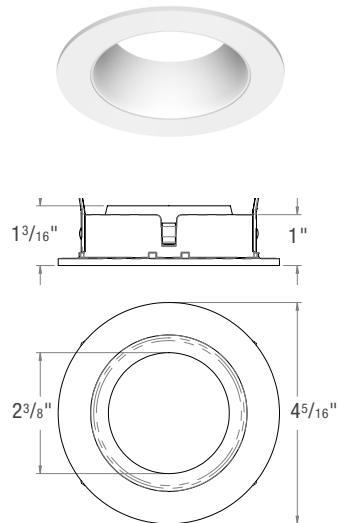
FAMILY APERTURE	TRIM SHAPE	TRIM POSITION	TRIM STYLE	TRIM FINISH
ED3- ECO 3" Flanged	R (Round)	F (Fixed)	ST (Standard) WL (Wet Location)	WT (White)

HOUSING AND LIGHT ENGINE LINE DRAWING

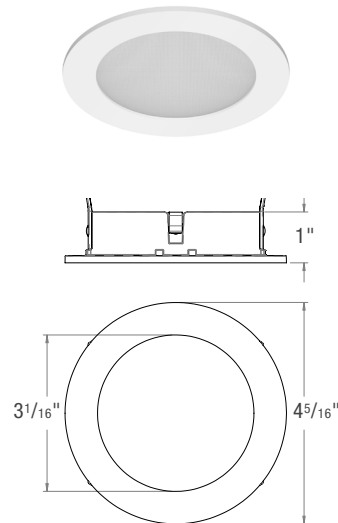
ED3LNIC



TRIM STYLES



ED3-RFST
Round Fixed Standard

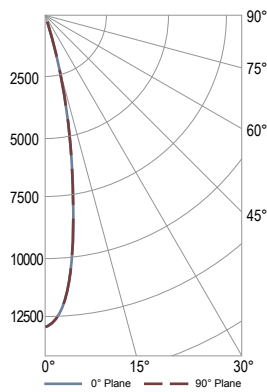


ED3-RFWL
Round Fixed Wet Location

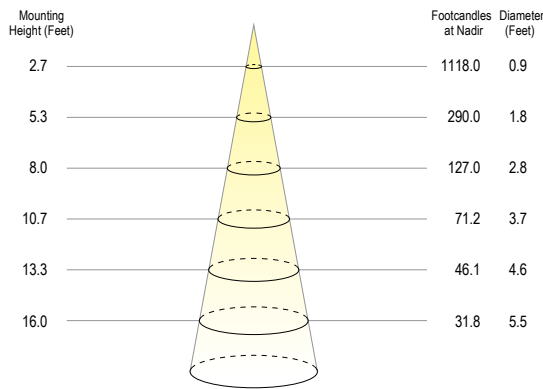
PHOTOMETRICS

Eco Downlight 3" L RIC model (2700K, 90 CRI, 10° Optic, 12W)
Round, Standard, White Trim

Polar Plot



Cone of Light Tabulation



Voltage	Current	Power
120.1 VAC	0.0958 A	11.3 W

Power Factor	Frequency	Current THD
0.982	60 Hz	16.8%

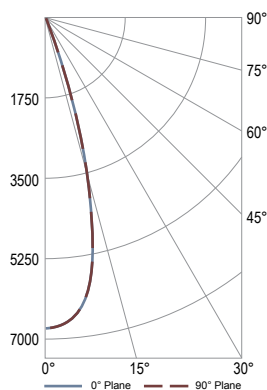
Summary of Results

Spacing Criteria 0-180: 0.34
90-270: 0.34
Total Lumen Output: 1061 Lumens
Luminaire Efficacy: 94.0 lm/w
Maximum Candela: 8147 Candela

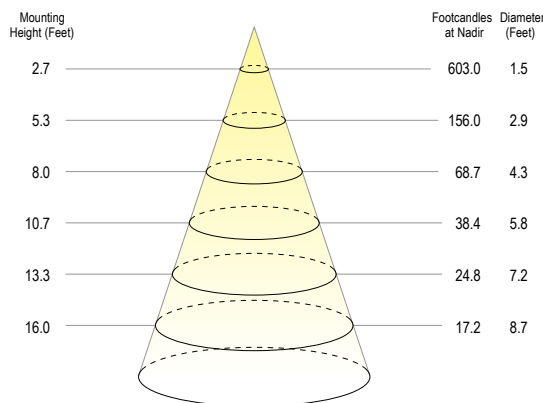
Zone	Lumens	% of Luminaire
0-40	1050	99.0%
0-60	1057	99.6%
0-90	1061	100.0%

Eco Downlight 3" L RIC model (2700K, 90 CRI, 30° Optic, 12W)
Round, Standard, White Trim

Polar Plot



Cone of Light Tabulation



Voltage	Current	Power
120.1 VAC	0.0958 A	11.3 W

Power Factor	Frequency	Current THD
0.982	60 Hz	16.8%

Summary of Results

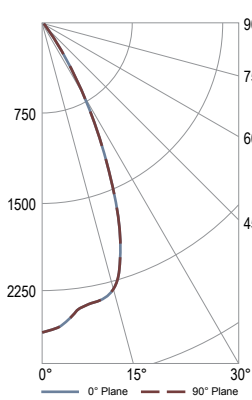
Spacing Criteria 0-180: 0.52
90-270: 0.52
Total Lumen Output: 1108 Lumens
Luminaire Efficacy: 98.0 lm/w
Maximum Candela: 4394 Candela

Zone	Lumens	% of Luminaire
0-40	1097	99.0%
0-60	1105	99.7%
0-90	1108	100.0%

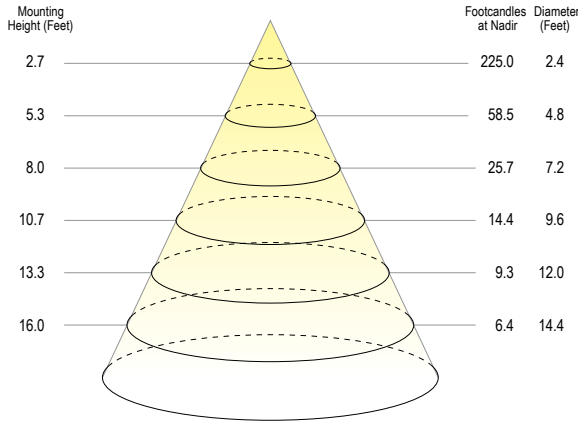
PHOTOMETRICS

Eco Downlight 3" L RIC model (2700K, 90 CRI, 50° Optic, 12W)
Round, Standard, White Trim

Polar Plot



Cone of Light Tabulation



Voltage	Current	Power
120.1 VAC	0.0958 A	11.3 W

Power Factor	Frequency	Current THD
0.982	60 Hz	16.8%

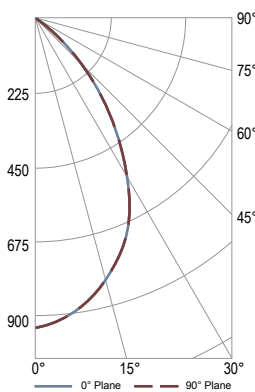
Summary of Results

Spacing Criteria 0-180: 0.80
90-270: 0.80
Total Lumen Output: 1012 Lumens
Luminaire Efficacy: 89.6 lm/w
Maximum Candela: 1643 Candela

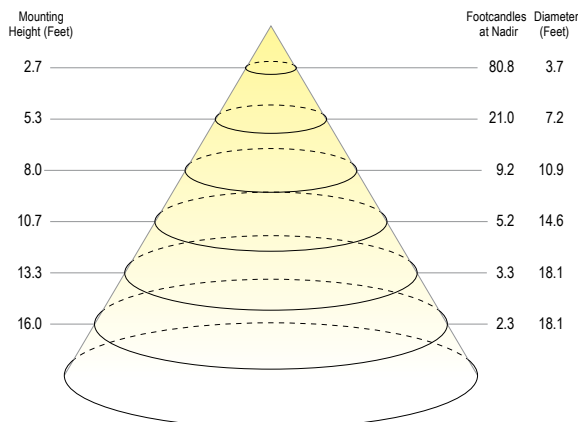
Zone	Lumens	% of Luminaire
0-40	988	97.6%
0-60	1009	99.7%
0-90	1012	100.0%

Eco Downlight 3" L RIC model (2700K, 90 CRI, 80° Optic, 12W)
Round, Standard, White Trim

Polar Plot



Cone of Light Tabulation



Voltage	Current	Power
120.1 VAC	0.0958 A	11.3 W

Power Factor	Frequency	Current THD
0.982	60 Hz	16.8%

Summary of Results

Spacing Criteria 0-180: 1.00
90-270: 1.00
Total Lumen Output: 715 Lumens
Luminaire Efficacy: 63.3 lm/w
Maximum Candela: 589 Candela

Zone	Lumens	% of Luminaire
0-40	569	79.6%
0-60	703	98.3%
0-90	715	100.0%

FOR DRIVER TYPE "S2"

Phase Control Dimming Driver, ED3LNIC

Compatible Phase Control Dimmers			
MFG	Model	MFG	Model
Lutron	S-603PG	Leviton	6631-LW
Lutron	DVCL-153P	Leviton	VPE06
Lutron	TGCL-153P	Leviton	6683-IW
Lutron	S600P	Leviton	6161
Lutron	DVELV303P	Leviton	6633-P
Lutron	SELV300P	Leviton	IPE04
Lutron	TG-600P	Cooper	DLC03P
Lutron	LG600P	Cooper	SLC03P
Lutron	CT103P	Cooper	DAL06P
Lutron	MAELV600	Lightolier	ZP260QEW
Lutron	FAELV500		

Compatible dimmer information provided by the dimming driver manufacturer