



## WARNING

**DISCONNECT POWER BEFORE RELAMPING OR WIRING THE FIXTURE  
READ ALL INSTRUCTIONS COMPLETELY BEFORE STARTING INSTALLATION.**



## CAUTION

- TO AVOID THE RISK OF FIRE OR SHOCK, FIXTURE MUST BE INSTALLED IN COMPLIANCE WITH ALL APPLICABLE NATIONAL AND LOCAL ELECTRICAL/BUILDING CODES.
- INSTALLATION AND MAINTENANCE OF THIS UNIT REQUIRES AN ELECTRICIAN OR CERTIFIED FACTORY TRAINED TECHNICIAN.
- If an existing fixture is being replaced, remove it and note to which of the wires in the outlet box the fixture was attached. DO NOT SEPARATE ANY OTHER WIRES THAT MAY BE IN THE BOX. DO NOT DAMAGE THE INSULATION OF OLDER WIRING. In regular circumstances the BLACK wire will be the "Hot" lead and the WHITE wire will be the "Neutral" or "Common" lead A GREEN or BARE COPPER wire is the "Ground". In older buildings it is always good practice to reconfirm the polarity of the wiring.

## NOTICE

- The important safeguards and instructions outlined on this sheet cannot cover all possible conditions and situations that may occur. It must be understood that common sense, caution and care factors that cannot be built into any product. Caution and care must be supplied by the person(s) installing, operating and caring of this lighting fixture.
- This fixture is designed to be mounted on a correctly installed standard round or octagon box or a through wiring box with a plaster frame. The box must be securely mounted to the structure of the building. The crossbar and hardware supplied should be used. Directly mounting the fixture to the outlet box may make it impossible to correctly align the fixture.

### FIXTURE PREPARATION

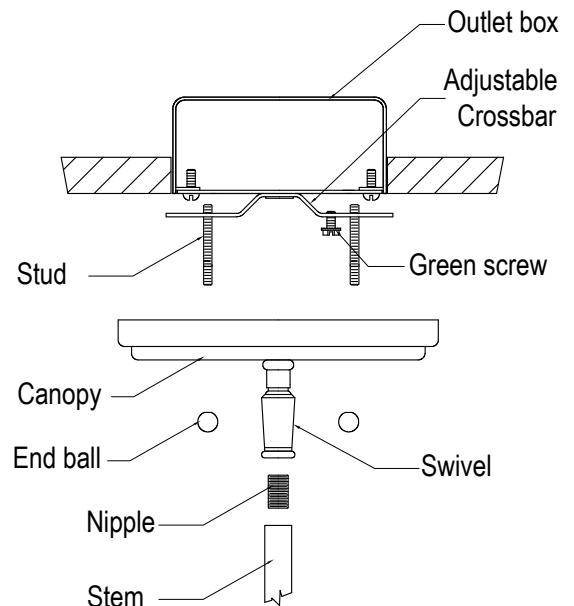
1. Remove the fixture, glass cylinder and parts bag(s) from the carton.

#### NOTICE:

Before discarding the carton,  
double check to make certain that all parts are found.

### FIXTURE INSTALLATION

1. Attach the adjustable crossbar to the outlet box.  
(the green screw should face the floor).
2. Thread the 2 long studs into the adjustable crossbar at the same spacing as the holes in canopy. (The green screw is in the front). Attach the adjustable crossbar to the outlet box. (The green screw should face the floor). Adjust the studs so that they extend  $\frac{1}{4}$ " beyond the canopy.
3. Fasten the bare ground wire to the green or bare copper wire in the outlet box (if outlet box is plastic) or the green screw on the adjustable crossbar.





**WARNING**

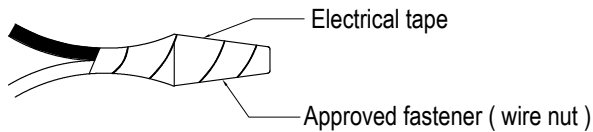
Never fasten the ground wire to the black or "hot" wire!  
Failure to follow this instruction could result in serious injury or death!

- 4. Fasten the white fixture lead to the white wire in the outlet box. Fasten the wires together with an approved fastener (wire nut). Starting about 1" below the fastener, tightly wrap the connection with electrical tape so that the connections seals the end of the fastener.



**WARNING**

Make sure that there is no exposed wire or strands that could cause a dangerous short circuit!



- 5. Connect the black fixture lead to the black wire in the outlet box. Fasten the joined wires as in step 4.
- 6. Using the two (2) end balls,loosely fasten the fixture to the outlet box. Rotate and align the canopy as necessary.
- 7. Remove the 3 screws from the top edge of the cover.
- 8. Remove the cover and cylinder.
- 9. Install the lamps (lighting bulbs). NOTE: This fixture is rated for 60 watts medium base type A -15 (fan) lamp.



**WARNING**

DO NOT EXCEED RECOMMENDED WATTAGE!

- 10. Reinstall the cylinder and cover.
- 11. Restore power to circuit at breaker or fuse box.

NOTICE:  
THIS LUMINAIRE MUST BE MOUNTED OR SUPPORTED INDEPENDENTLY OF AN OUTLET BOX.

