

## 224-33 HELIOS 48"DIA LED FLUSH MOUNT INSTALLATION INSTRUCTIONS



### WARNING

**DISCONNECT POWER BEFORE RE-LAMPING OR WIRING THE FIXTURE  
READ ALL INSTRUCTIONS COMPLETELY BEFORE STARTING INSTALLATION.**



### CAUTION

- TO AVOID THE RISK OF FIRE OR SHOCK, FIXTURE MUST BE INSTALLED IN COMPLIANCE WITH ALL APPLICABLE NATIONAL AND LOCAL ELECTRICAL/BUILDING CODES.
- INSTALLATION AND MAINTENANCE OF THIS UNIT REQUIRES AN ELECTRICIAN OR CERTIFIED FACTORY TRAINED TECHNICIAN.
- If an existing fixture is being replaced, remove it and note to which of the wires in the outlet box the fixture was attached. DO NOT SEPARATE ANY OTHER WIRES THAT MAY BE IN THE BOX. DO NOT DAMAGE THE INSULATION OF OLDER WIRING. In regular circumstances the BLACK wire will be the "Hot" lead and the WHITE wire will be the "Neutral" or "Common" lead. In older buildings it is always good practice to reconfirm the polarity of the wiring.

### NOTICE

- The important safeguards and instructions outlined on this sheet cannot cover all possible conditions and situations that may occur. It must be understood that common sense, caution and care factors that cannot be built into any product. Caution and care must be supplied by the person(s) installing, operating and caring of this lighting fixture.
- This fixture is designed to be mounted on a correctly installed standard round or octagon box or a through wiring box with a plaster frame. The box must be securely mounted to the structure of the building. The fabricated crossbar and hardware supplied should be used. Directly mounting the fixture to the outlet box may make it impossible to correctly align the fixture.

#### FIXTURE PREPARATION

1. Remove the fixture, glass, diffuser and parts bag(s) from the carton.

#### NOTICE:

- Before discarding the carton, double check to make certain that all parts are found.

#### FIXTURE INSTALLATION

1. Attach the fabricated crossbar to the outlet box.  
Attach the safety cable to the structure or brace. See figure-1.

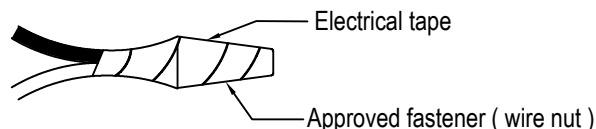
#### NOTICE:

**THIS LUMINAIRE MUST BE MOUNTED OR SUPPORTED INDEPENDENTLY OF AN OUTLET BOX.**



### WARNING

**REFER TO THE ILLUSTRATION FOR CORRECT AND SAFE INSTALLATION OF SAFETY CABLE. FAILURE TO FOLLOW THIS INSTRUCTION COULD RESULT HARM/DAMAGE TO THE FIXTURE, PROPERTY AND/OR PERSON(S)!**



3. Thread the studs into the fabricated crossbar. Attach the canopy into the studs then tighten it with barrel nuts.
4. Cut off the excess fixture wire 6" beyond the canopy. Strip 1/2" of insulation from the ends of the wire. Twist the wire stands together.
5. Fasten the white fixture lead of the LED Light to the white wire in the outlet box. Fasten the wires together with an approved fastener (wire nut). Starting about 1" below the fastener, tightly wrap the connection with electrical tape so that the connections seals the end of the fastener.



### WARNING

**Make sure that there is no exposed wire or strands that could cause a dangerous short circuit!**

6. Connect the black fixture lead of the LED Light to the black wire in the outlet box. Fasten the joined wires as in step 5.
7. Place the LED diffuser. (See Figure 2)
8. Place the glass with glass holder. (See Figure 2)

## GLASS INSTALLATION

- A. Put the twist lock hole aligned to the stud w/ ball nut then carefully rotate the glass counter clockwise.



### WARNING

**DO NOT EXCEED RECOMMENDED WATTAGE!**

9. Restore power to circuit at breaker or fuse box.

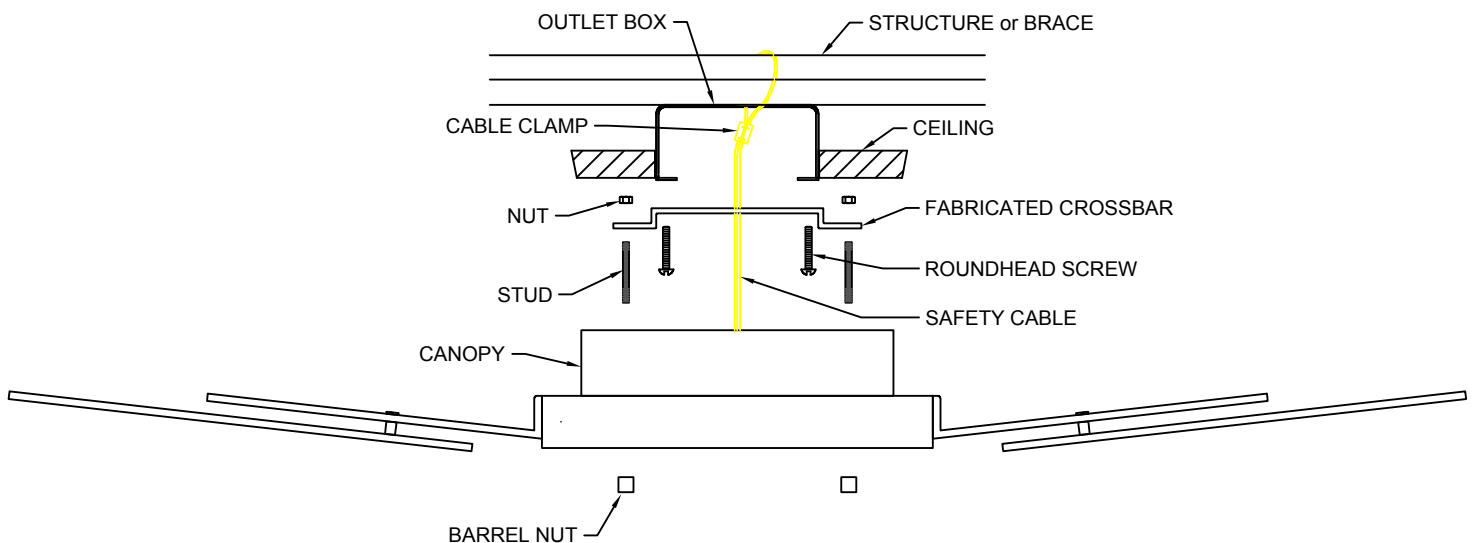


FIGURE-1

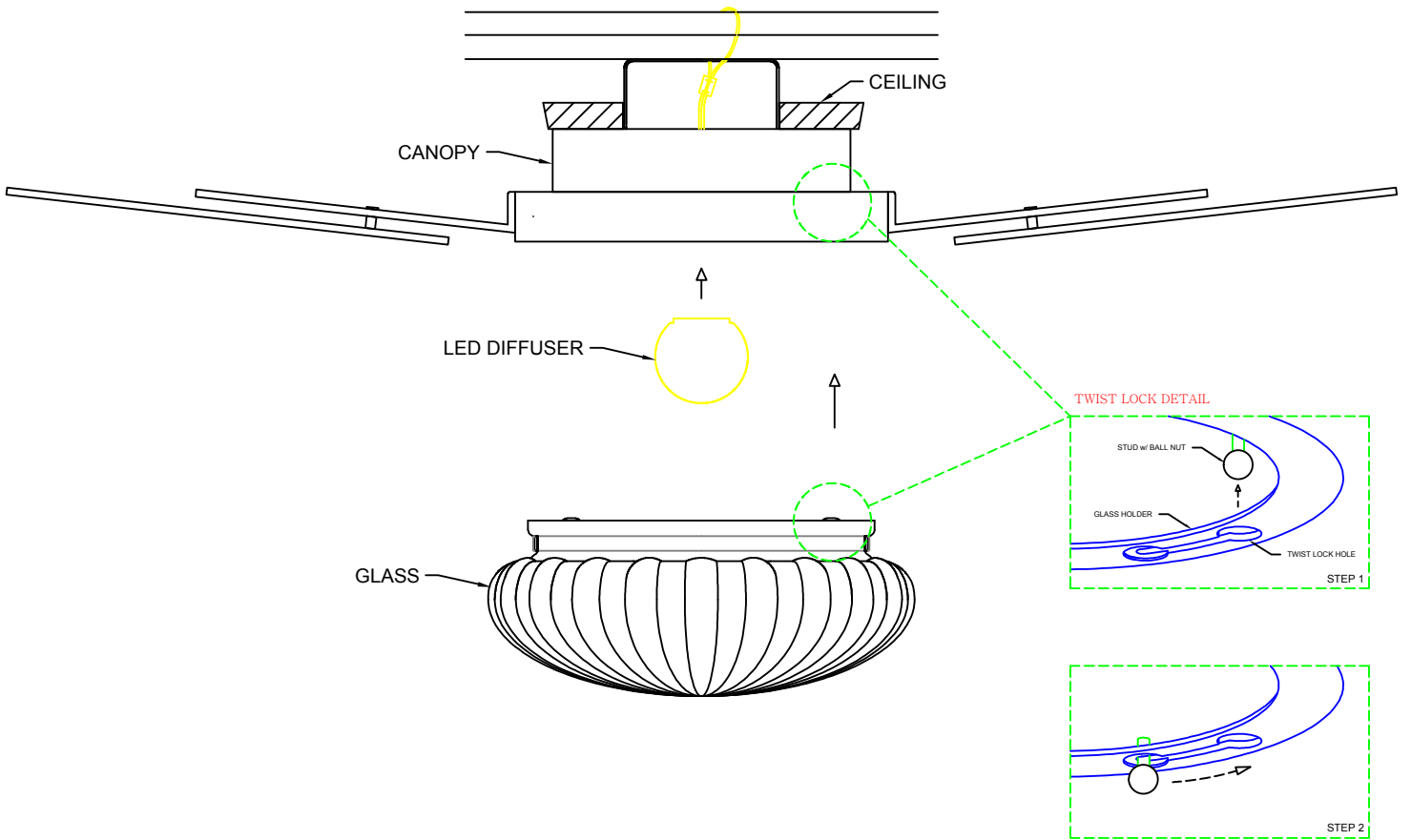


FIGURE-2