

WARNING

**DISCONNECT POWER BEFORE RE-LAMPING OR WIRING THE FIXTURE
READ ALL INSTRUCTIONS COMPLETELY BEFORE STARTING INSTALLATION.**

CAUTION

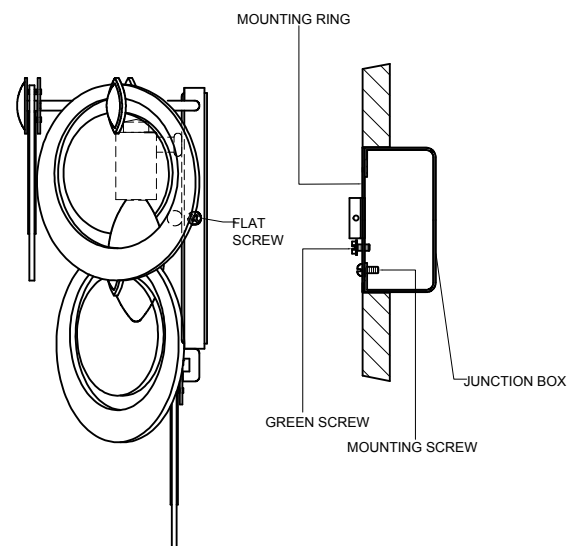
- TO AVOID THE RISK OF FIRE OR SHOCK, FIXTURE MUST BE INSTALLED IN COMPLIANCE WITH ALL APPLICABLE NATIONAL AND LOCAL ELECTRICAL/BUILDING CODES.
- INSTALLATION AND MAINTENANCE OF THIS UNIT REQUIRES AN ELECTRICIAN OR CERTIFIED FACTORY TRAINED TECHNICIAN.
- If an existing fixture is being replaced, remove it and note to which of the wires in the outlet box the fixture was attached. DO NOT SEPARATE ANY OTHER WIRES THAT MAY BE IN THE BOX. DO NOT DAMAGE THE INSULATION OF OLDER WIRING. In regular circumstances the BLACK wire will be the "Hot" lead and the WHITE wire will be the "Neutral" or "Common" lead. The GREEN or BARE COPPER wire is the "Ground". In older buildings it is always good practice to reconfirm the polarity of the wiring.

NOTICE

- The important safeguards and instructions outlined on this sheet cannot cover all possible conditions and situations that may occur. It must be understood that common sense, caution and care factors that cannot be built into any product. Caution and care must be supplied by the person(s) installing, operating and caring of this lighting fixture.
- This fixture is design to be mounted on a correctly installed standard round or octagon box or a through wiring box with a plaster frame. The box must be securely mounted to the structure of the building. The crossbar and hardware supplied should be used. Directly mounting the fixture to the outlet box may make it impossible to correctly align the fixture.

FIXTURE PARTS AND LABEL

FIGURE-1



FIXTURE PREPARATION

1. Remove the fixture and parts bag(s) from the carton.

NOTICE:

Before discarding the carton, double check to make certain that all parts are found.

FIXTURE INSTALLATION

1. Attach the mounting ring to the junction box using the mounting screws. (The green screw should face out).
2. Thread the studs into the mounting ring at the proper spacing.
Adjust the studs so that they extend $\frac{3}{16}$ " beyond the back of the fixture.

3. Fasten the ground wire to the green or bare copper wire in the junction box or the green screw on the mounting ring.

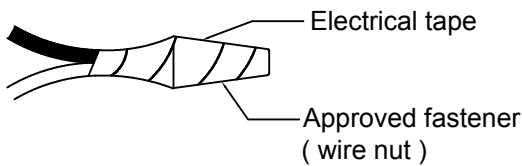
⚠ WARNING

Never fasten the ground wire to the black or "hot" wire! Failure to follow this instruction could result serious injury or death!

4. Fasten the white fixture lead to the white wire in the junction box. Fasten the wires together with an approved fastener (wire nut). Starting about 1" below the fastener, tightly wrap the connection with the electrical tape so that the connections seals the end of the fastener.

⚠ WARNING

Make sure that there is no exposed wire or strands that could cause a dangerous short circuit!



5. Connect the black fixture lead to the black wire in the junction box. Fasten the joined wires as in step 4.

6. Using the two (2) flat screws, fasten the fixture to the junction box.

FOR AGATE STONES INSTALLATION:

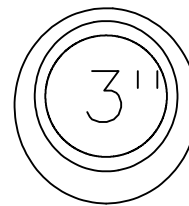
- A. Remove agate clip A using bare hands turn it counter clockwise to loosen clip.
- B. Insert agate stone in headless screw located on agate clip B.
- C. Return agate clip A using bare hands turn it clockwise to tighten.

7. Install the lamps (lighting bulbs). NOTE: this fixture is rated for 60 watts candelabra base type B, BA, C or CA lamp.

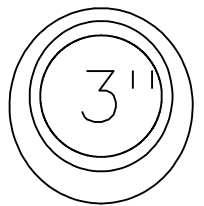
⚠ WARNING

DO NOT EXCEED RECOMMENDED WATTAGE!

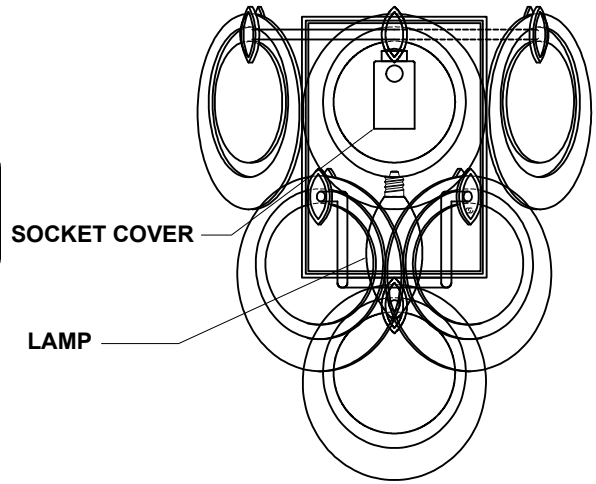
8. Restore power circuit at breaker or fuse box.



G-AS01/ND - 5 PIECES

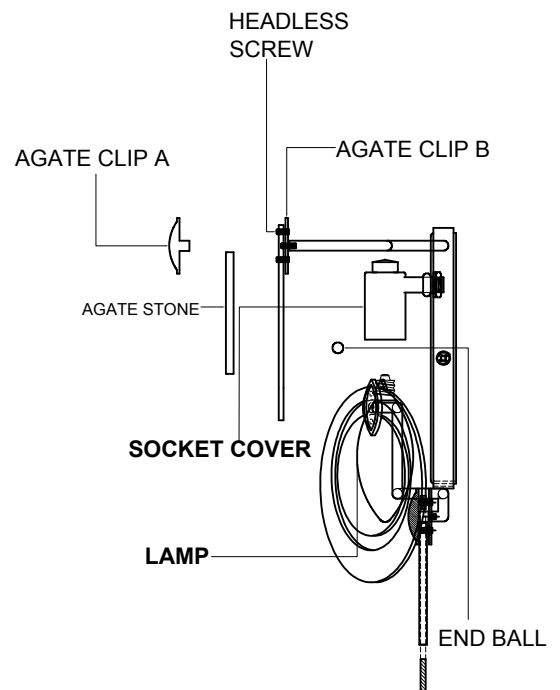


G-AS01/NL - 5 PIECES



FRONT VIEW

FIGURE-2



SIDE VIEW